

SECTION 27B

REAR AXLE

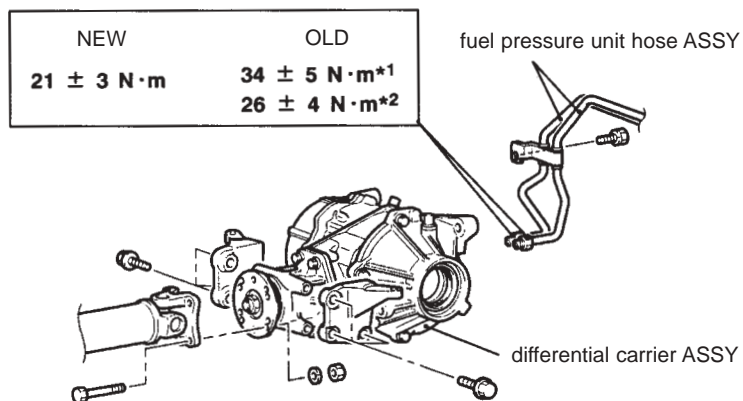
CONTENTS

<p>General.....1</p>	<p>Differential carrier <vehicles with an AYC system>1</p>
-----------------------------	---

General

The tightening torque for the flare nut which joins the fuel pressure unit hose ASSY and the differential carrier ASSY, has been changed. Other servicing guidelines remain unchanged.

Differential carrier <vehicles with an AYC system> Removal and fitting



Note

- *1: When the screw is dry.
- *2: When the screw is lubricated.

AC406583AB

<Notes>