

GROUP 52A

INTERIOR

CONTENTS

GENERAL DESCRIPTION	52A-3	TRIMS	52A-12
		REMOVAL AND INSTALLATION	52A-12
SEAT BELT WARNING SYSTEM		DOOR TRIM	52A-14
DIAGNOSIS	52A-3	REMOVAL AND INSTALLATION	52A-14
SPECIAL TOOL	52A-3	HEADLINING	52A-19
INSTRUMENT PANEL		REMOVAL AND INSTALLATION	52A-19
ASSEMBLY*	52A-4	INSIDE REAR VIEW MIRROR	52A-20
REMOVAL AND INSTALLATION	52A-4	FRONT SEAT ASSEMBLY*	52A-21
DISASSEMBLY AND ASSEMBLY	52A-8	REMOVAL AND INSTALLATION	52A-21
FRONT FLOOR CONSOLE		DISASSEMBLY AND ASSEMBLY	52A-22
ASSEMBLY	52A-9		
REMOVAL AND INSTALLATION	52A-9		
REAR FLOOR CONSOLE			
ASSEMBLY	52A-10		
REMOVAL AND INSTALLATION	52A-10		
DISASSEMBLY AND ASSEMBLY	52A-10		

Continued on next page

WARNING

Battery posts, terminals and related accessories contain lead and lead compounds. WASH HANDS AFTER HANDLING.

WARNINGS REGARDING SERVICING OF SUPPLEMENTAL RESTRAINT SYSTEM (SRS) EQUIPPED VEHICLES

WARNING

- *Improper service or maintenance of any component of the SRS, or any SRS-related component, can lead to personal injury or death to service personnel (from inadvertent firing of the air bag) or to the driver and passenger (from rendering the SRS inoperative).*
- *Service or maintenance of any SRS component or SRS-related component must be performed only at an authorized MITSUBISHI dealer.*
- *MITSUBISHI dealer personnel must thoroughly review this manual, and especially its GROUP 52B - Supplemental Restraint System (SRS) before beginning any service or maintenance of any component of the SRS or any SRS-related component.*

NOTE

The SRS includes the following components: SRS air bag control unit, SRS warning light, front impact sensors, air bag module, clock spring, and interconnecting wiring. Other SRS-related components (that may have to be removed/installed in connection with SRS service or maintenance) are indicated in the table of contents by an asterisk (*).

52A-2

REAR SEAT ASSEMBLY 52A-23

REMOVAL AND INSTALLATION 52A-23

DISASSEMBLY AND ASSEMBLY 52A-25

FRONT SEAT BELT* 52A-27

REMOVAL AND INSTALLATION 52A-27

INSPECTION 52A-28

REAR SEAT BELT 52A-29

REMOVAL AND INSTALLATION 52A-29

SPECIFICATIONS 52A-30

FASTENER TIGHTENING

SPECIFICATION 52A-30

GENERAL DESCRIPTION

M1521000100151

SEAT BELT WARNING SYSTEM

- When the ignition switch is turned "ON" without fastening the seat belts (seat belt switch OFF), the tone alarm will sound for approximately 6 seconds to warn the driver to fasten the seat belts. When the seat belts are fastened, the tone alarm will stop sounding.
- When the ignition switch is turned ON without fastening the seat belt, the seat belt warning light comes on to warn the driver to fasten the seat belt.

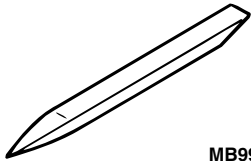
SEAT BELT WARNING SYSTEM DIAGNOSIS

M1523000700126

The seat belt warning system is controlled by Simplified Warning System (SWS). For troubleshooting, refer to GROUP 54B, SWS Diagnosis [P.54B-8](#).

SPECIAL TOOL



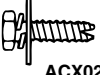
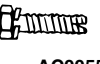
M1521000600242

TOOL	TOOL NUMBER AND NAME	SUPERSESSION	APPLICATION
 <p style="text-align: center;">MB990784</p>	MB990784 Ornament remover	General service tool	Removal of switch, trim, etc.

INSTRUMENT PANEL ASSEMBLY**REMOVAL AND INSTALLATION**

M1521001700695

The following bolts and screws are used for installing the instrument panel. Bolts and screws are indicated as marks shown in the illustration in the sections of "Removal and Installation" and "Disassembly and Assembly."

NAME	SYMBOL	SIZE (D × L) mm	COLOR	SHAPE
Tapping screw	a	5 × 16	Black	 ACX01282
	b	5 × 16	-	
	c	5 × 12	-	 ACX01283
Bolt with washer	d	6 × 12	-	 ACX02229
	e	5 × 20	-	 AC005505

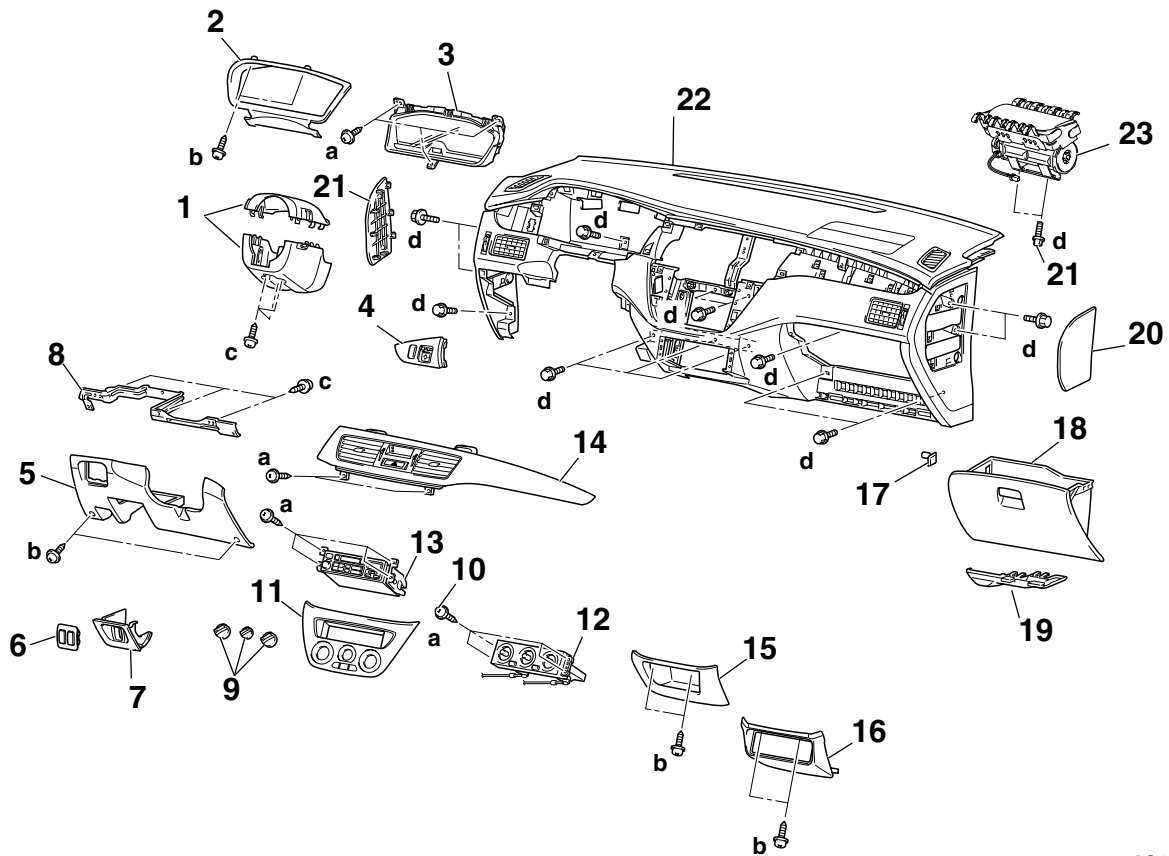
D: Thread diameter L: Effective thread length

CAUTION

- Refer to GROUP 52B, SRS Service Precautions P.52B-18 and Air bag Module and Clock Spring P.52B-171 before removing the passenger side air bag module.
- Do not subject the SRS-ECU to any shocks when removing or installing the instrument panel.

Pre-removal and Post-installation Operation

- Removal and Installation of Front Pillar Trim (Refer to P.52A-12.)
- Hood Opener Lever (Refer to GROUP42, Hood P.42-7.)



AC401995AB

REMOVAL STEPS

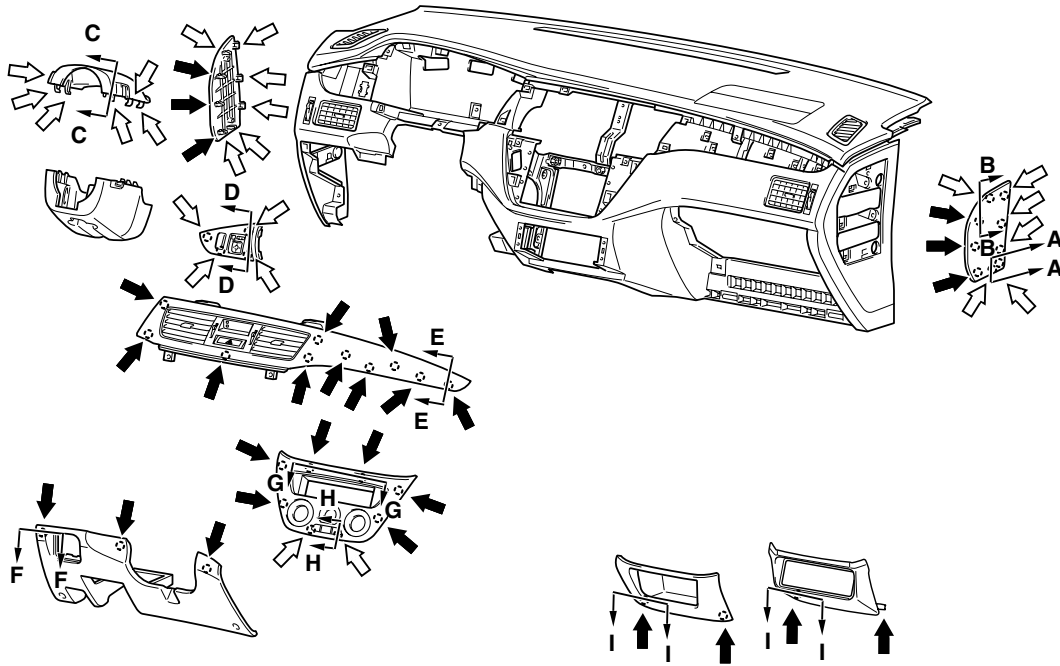
1. COLUMN COVER
2. METER BEZEL
3. COMBINATION METER
4. INSTRUMENT PANEL ORNAMENT
5. UNDER COVER
6. SWITCH PANEL
7. SWITCH HOLDER
8. LOWER FRAME
9. HEATER CONTROL KNOB
10. HEATER CONTROL ASSEMBLY MOUNTING SCREW
11. CENTER PANEL
12. HEATER CONTROL ASSEMBLY
13. RADIO AND TAPE PLAYER
14. CENTER AIR OUTLET PANEL
15. CENTER LOWER CASE

<<A>>

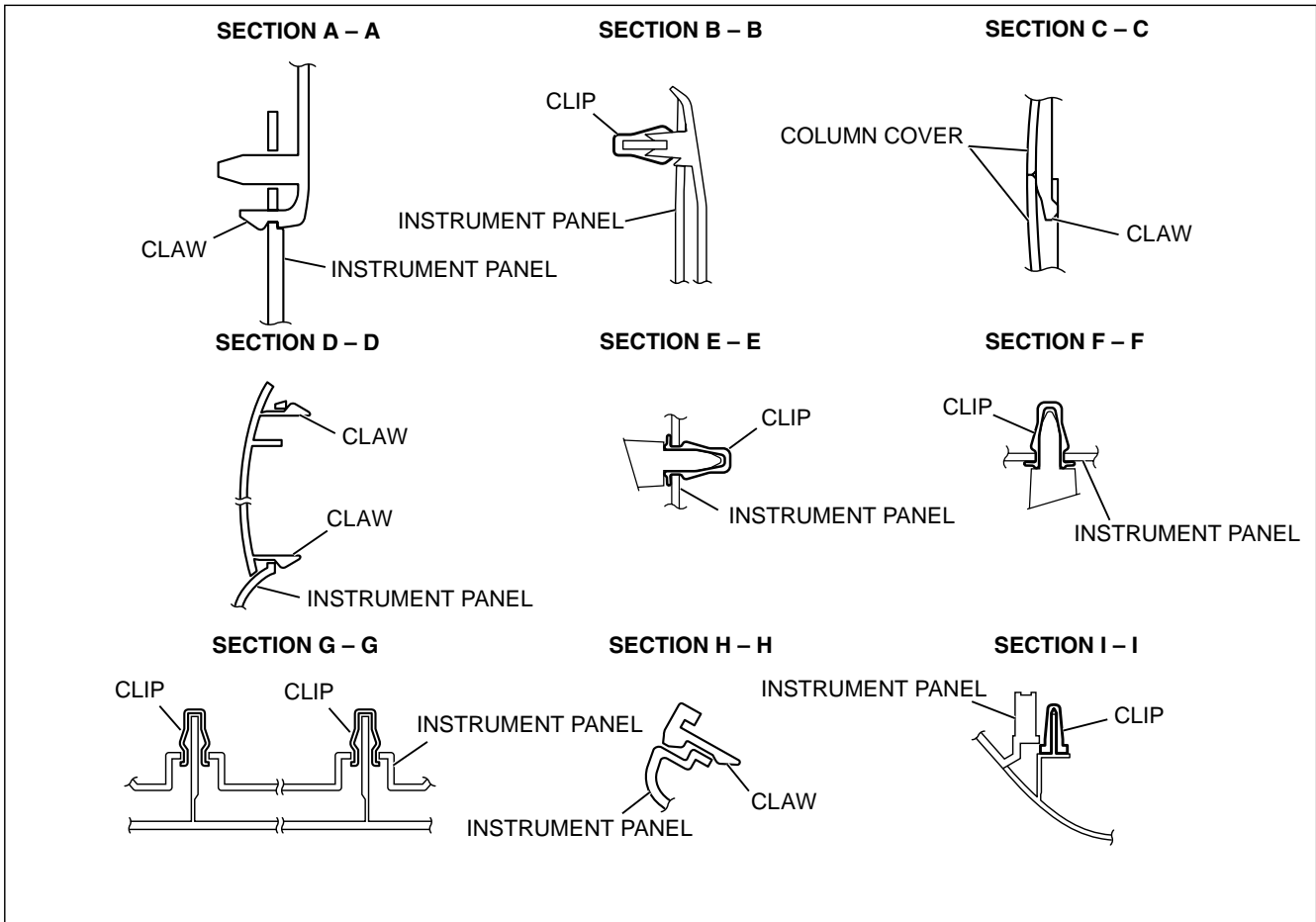
REMOVAL STEPS (Continued)

16. CENTER LOWER PANEL (VEHICLE WITH CD AUTOMATIC CHANGER)
17. STOPPER
18. GLOVE BOX
19. HARNESS COVER
20. INSTRUMENT PANEL SIDE COVER
21. SRS FRONT PASSENGER'S AIR BAG MODULE MOUNTING BOLT
 - STEERING COLUMN SHAFT MOUNTING BOLT (REFER TO GROUP 37, STEERING WHEEL AND SHAFT P.37-28.)
22. INSTRUMENT PANEL ASSEMBLY
23. SRS FRONT PASSENGER'S AIR BAG MODULE

CLIP AND CLAW POSITION



NOTE
 (1) : CLIP POSITIONS
 (2) : CLAW POSITIONS



AC005173AC

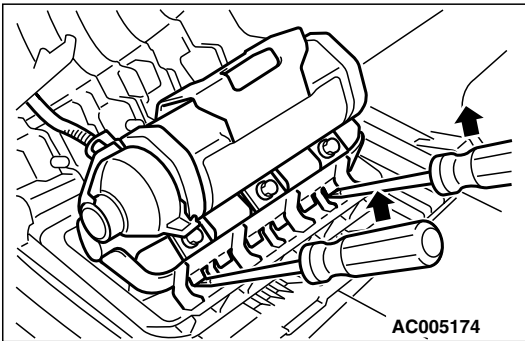
REMOVAL SERVICE POINT

<<A>> SRS FRONT PASSENGER'S AIR BAG MODULE REMOVAL

⚠ CAUTION

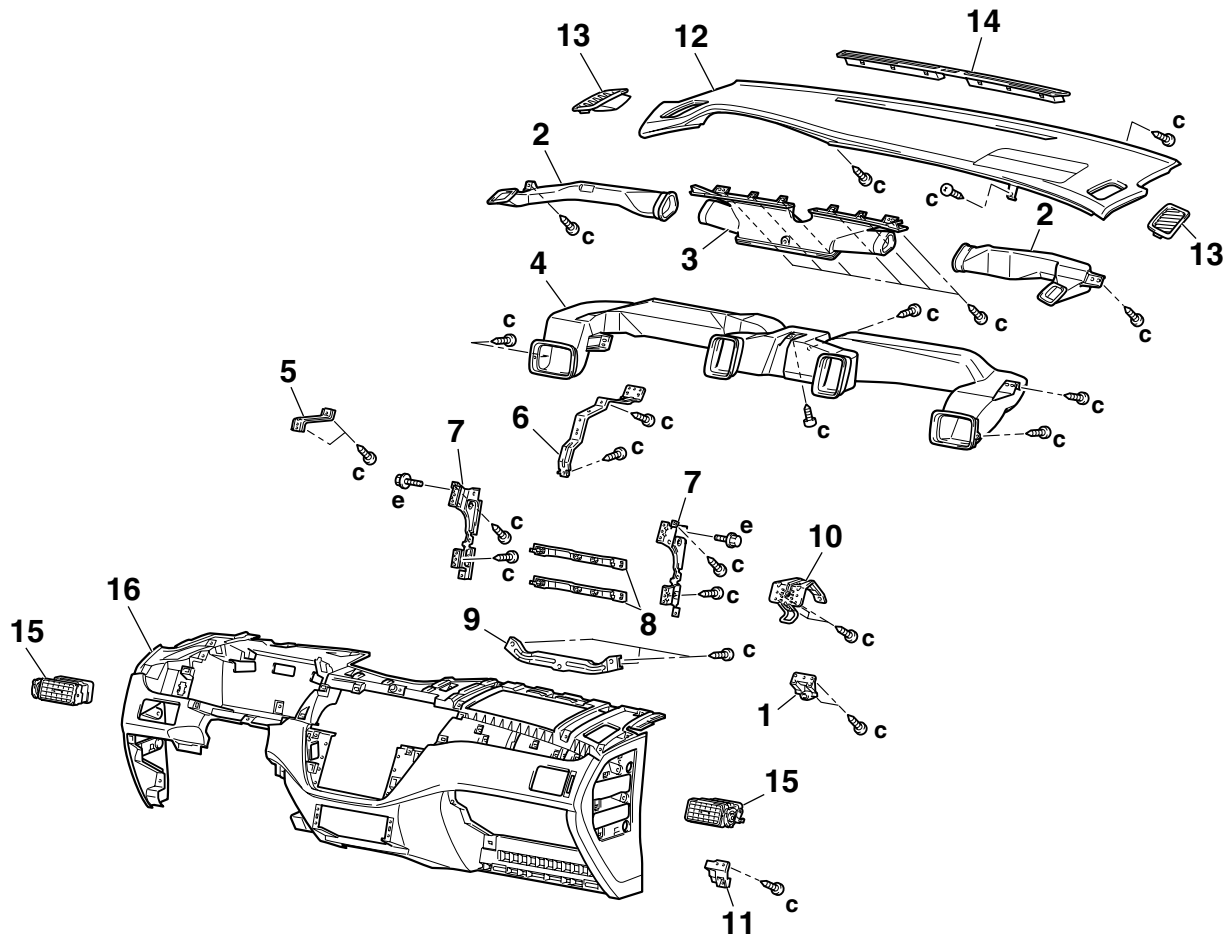
- Do not damage the claws of the hinge when removing the front passenger's air bag module.
- Store the removed front passenger's air bag module with the deployed side facing upward, in a clean and dry place.

Insert the flat tipped screwdriver into the position shown in the illustration and pull up the screwdriver to disengage the claws for removal of the front passenger's air bag module.



DISASSEMBLY AND ASSEMBLY

M1521001900279



AC005175 AB

DISASSEMBLY STEPS

1. INSTRUMENT PANEL UPPER SUPPORT
2. SIDE DEFROSTER DUCT
3. CENTER DEFROSTER DUCT
4. DISTRIBUTION DUCT
5. DRIVER SIDE UPPER BRACKET
6. CENTER UPPER REINFORCEMENT
7. INSTRUMENT PANEL CENTER REINFORCEMENT
8. BRIDGE REINFORCEMENT

DISASSEMBLY STEPS (Continued)

9. CENTER LOWER REINFORCEMENT
10. GLOVE BOX STRIKER
11. GLOVE BOX COVER
12. INSTRUMENT PANEL PAD
13. SIDE DEMISTER
14. DEFROSTER GARNISH
15. SIDE AIR OUTLET ASSEMBLY
16. INSTRUMENT PANEL

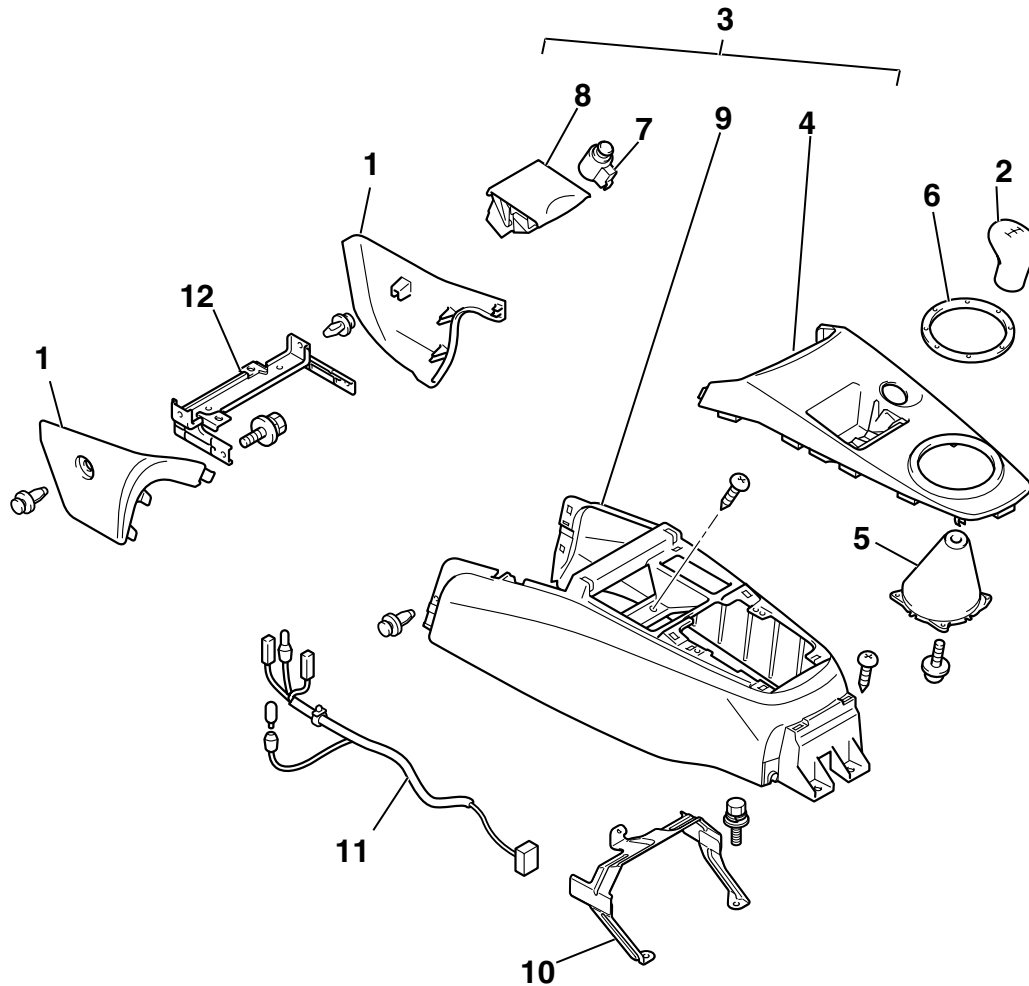
FRONT FLOOR CONSOLE ASSEMBLY

REMOVAL AND INSTALLATION

M1521005200090

Pre-removal and Post-installation Operation

- Removal and Installation of Rear Floor Console (Refer to P.52A-10.)



AC401989AB

REMOVAL STEPS

1. CONSOLE SIDE COVER
2. SHIFT LEVER KNOB
3. FRONT FLOOR CONSOLE ASSEMBLY
4. FRONT FLOOR CONSOLE PANEL
5. M/T SHIFT LEVER COVER
6. SHIFT LEVER PANEL GARNISH
7. CIGARETTE LIGHTER

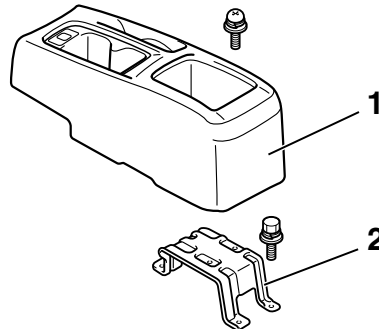
REMOVAL STEPS (Continued)

8. ASHTRAY
9. FRONT FLOOR CONSOLE
10. FRONT FLOOR CONSOLE BRACKET
11. HARNESS
12. CONSOLE SIDE COVER BRACKET

REAR FLOOR CONSOLE ASSEMBLY

REMOVAL AND INSTALLATION

M1521005700095



AC310299AB

REMOVAL STEPS

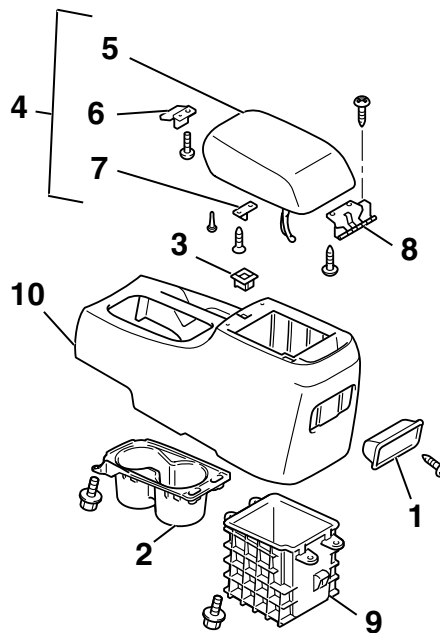
1. REAR CONSOLE ASSEMBLY
 - REAR SEAT CUSHION ASSEMBLY (REFER TO [P.52A-23.](#))
 - FRONT SCUFF PLATE (REFER TO [P.52A-12.](#))

REMOVAL STEPS (Continued)

- REAR SCUFF PLATE (REFER TO [P.52A-12.](#))
 - LOWER CENTER PILLAR TRIM (REFER TO [P.52A-12.](#))
 - FLOOR CARPET
2. REAR CONSOLE BRACKET

DISASSEMBLY AND ASSEMBLY

M1521005900130



DISASSEMBLY STEPS

1. ASHTRAY
2. CUP HOLDER
3. HOLE LOCK

<<A>>

DISASSEMBLY STEPS

4. CONSOLE LID ASSEMBLY
5. CONSOLE LID
6. UPPER LID LOCK
7. LOWER LID STRIKER

AC401988AB

DISASSEMBLY STEPS

8. HINGE BRACKET
9. BOX
10. REAR FLOOR CONSOLE

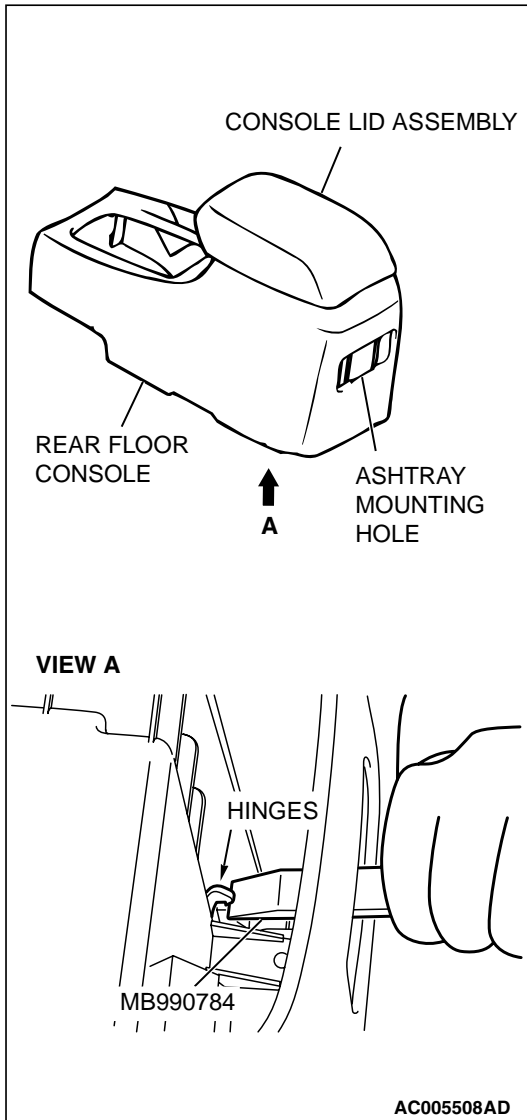
Required Special Tool:

- MB990784: Ornament remover

DISASSEMBLY SERVICE POINT

<<A>> CONSOLE LID ASSEMBLY REMOVAL

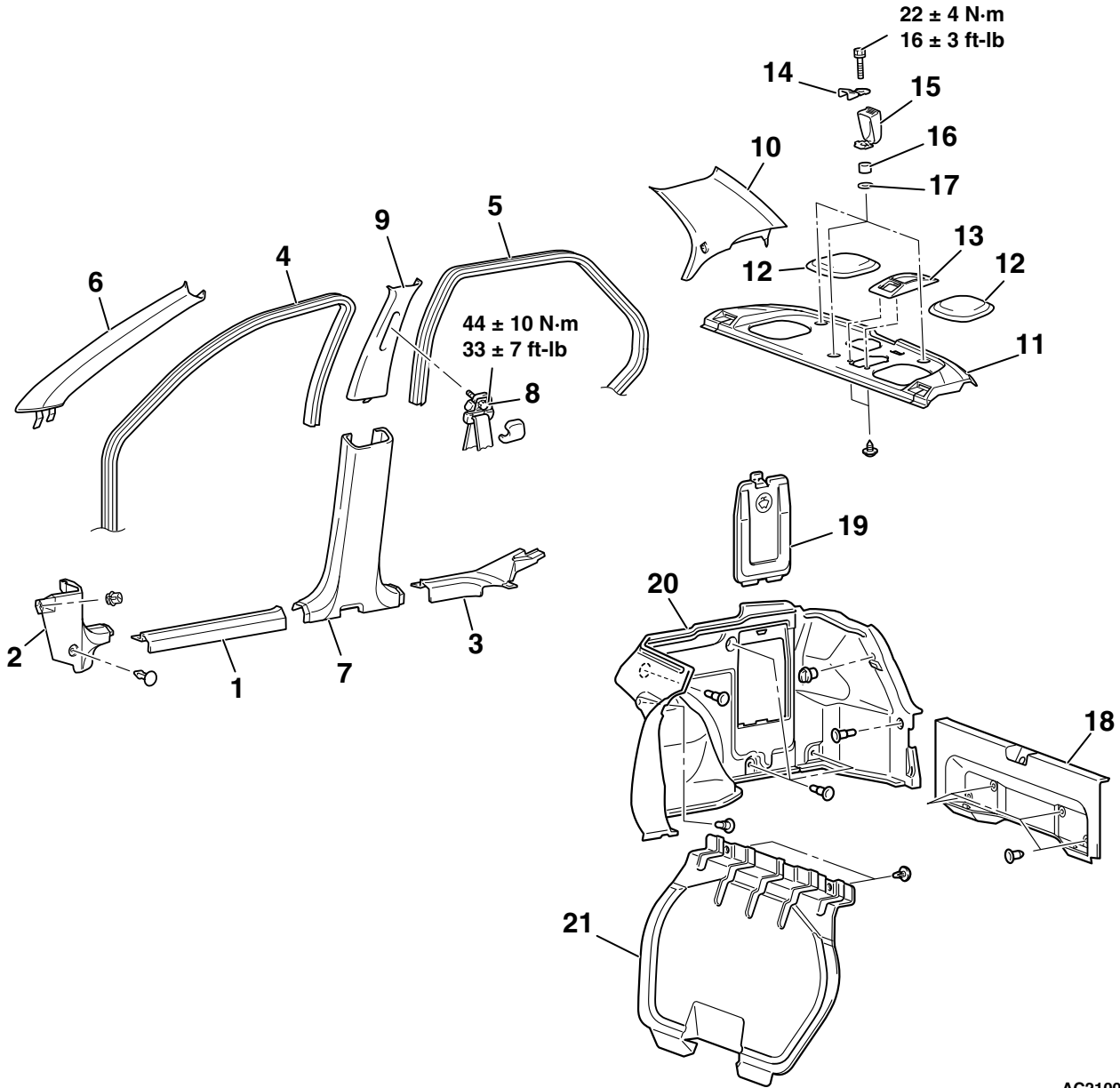
Insert the special tool into the hinges of the console lid assembly and the rear floor console through the ashtray mounting hole to pry for removal.



TRIMS

REMOVAL AND INSTALLATION

M1521001100596

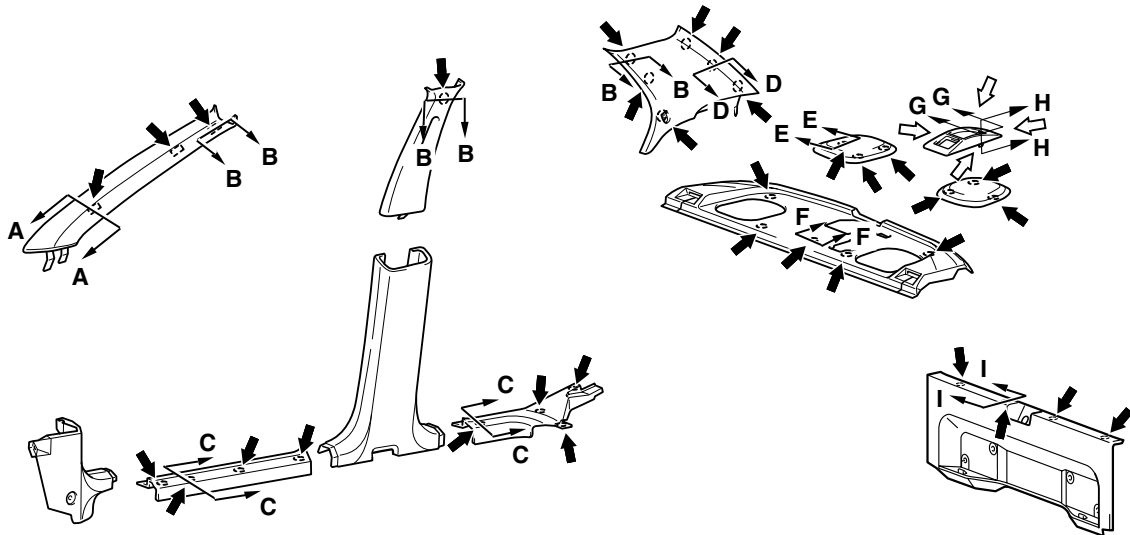


AC210040AB

<<A>>

- | | |
|-------------------------------|------------------------------|
| 1. FRONT SCUFF PLATE | 11. REAR SHELF TRIM |
| 2. COWL SIDE TRIM | 12. SPEAKER GARNISH |
| 3. REAR SCUFF PLATE | 13. RETRACTOR COVER |
| 4. FRONT DOOR OPENING TRIM | 14. CHILD RESTRAINT FITTING |
| 5. REAR DOOR OPENING TRIM | 15. COVER |
| 6. FRONT PILLAR TRIM | 16. SPACER (10 inch) |
| 7. LOWER CENTER PILLAR TRIM | 17. FIBER WASHER |
| 8. FRONT SEAT BELT CONNECTION | 18. REAR END TRIM |
| 9. UPPER CENTER PILLAR TRIM | 19. TRUNK ROOM SIDE TRIM LID |
| 10. REAR PILLAR TRIM | 20. TRUNK ROOM SIDE TRIM |
| | 21. TRUNK ROOM FRONT TRIM |

CLIP POSITION



NOTE

- ◄ : CLIP POSITIONS
- ◄◄ : CLAW POSITIONS

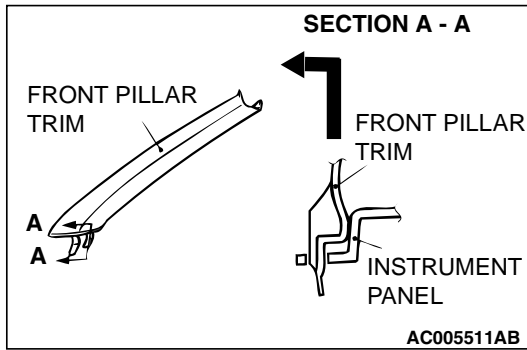
<p>SECTION A - A</p> <p>CLIP</p> <p>FRONT PILLAR TRIM</p>	<p>SECTION B - B</p> <p>CLIP</p> <p>HEADLINING</p> <p>FRONT PILLAR TRIM, UPPER CENTER PILLAR TRIM, REAR PILLAR TRIM</p>	<p>SECTION C - C</p> <p>FRONT SCUFF PLATE, REAR SCUFF PLATE</p> <p>CLIP</p>
<p>SECTION D - D</p> <p>CLIP</p> <p>REAR PILLAR TRIM</p>	<p>SECTION E - E</p> <p>SPEAKER GARNISH</p> <p>CLIP</p>	<p>SECTION F - F</p> <p>REAR SHELF TRIM</p> <p>CLIP</p>
<p>SECTION G - G</p> <p>REAR SHELF TRIM</p> <p>RETRACTOR COVER</p>	<p>SECTION H - H</p> <p>REAR SHELF TRIM</p> <p>CLAW</p>	<p>SECTION I - I</p> <p>REAR END TRIM</p> <p>CLIP</p>

AC210049AB

REMOVAL SERVICE POINT

<<A>> FRONT PILLAR TRIM REMOVAL

Release the clip by pulling in the direction shown in the illustration and remove the front pillar trim.

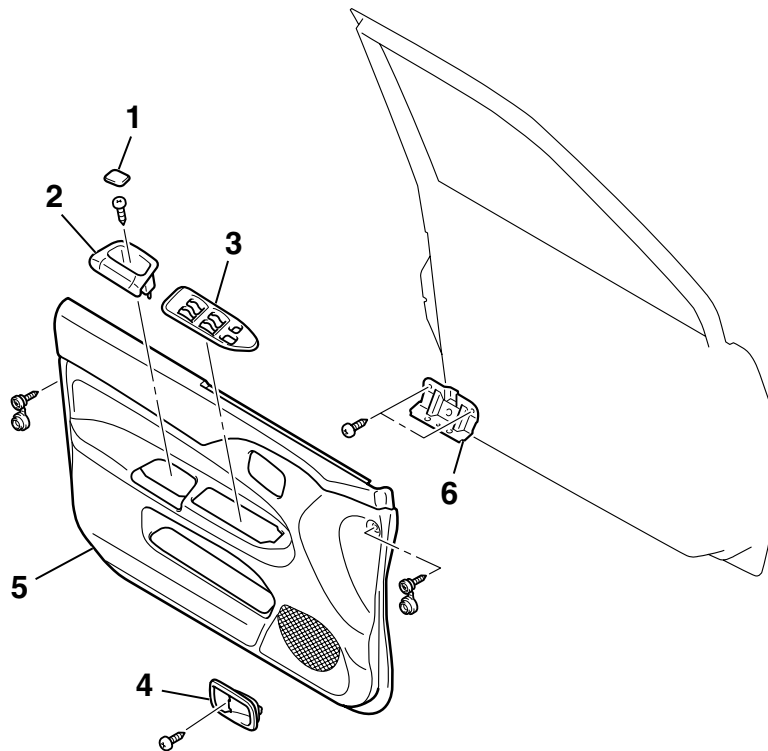


DOOR TRIM

REMOVAL AND INSTALLATION

M1521006400224

<FRONT DOOR TRIM>



AC210022AB

FRONT DOOR TRIM REMOVAL
STEPS

1. CAP
2. PULL HANDLE BOX
3. POWER WINDOW SWITCH ASSEMBLY
4. DOOR INSIDE HANDLE COVER

<<A>>

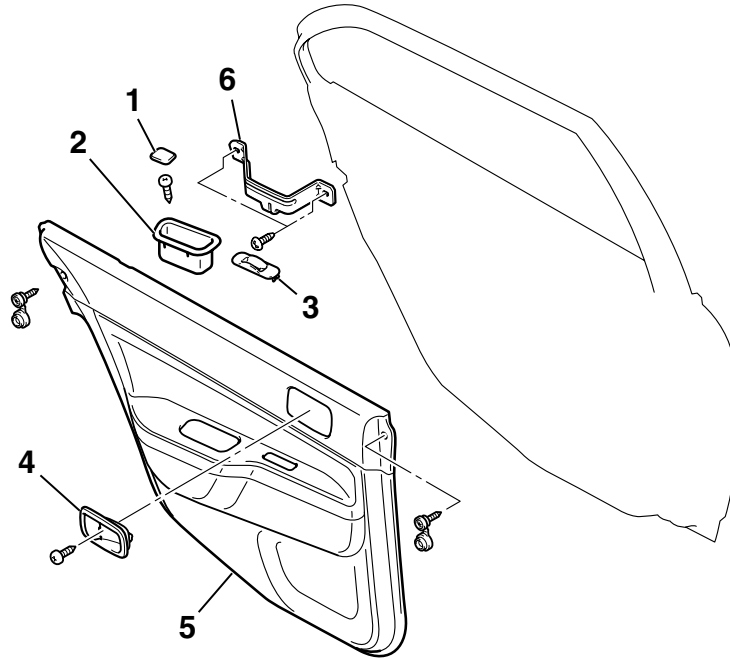
FRONT DOOR TRIM REMOVAL
STEPS (Continued)

5. FRONT DOOR TRIM
6. FRONT DOOR PULL HANDLE BRACKET

Required Special Tool:

- MB990784: Ornament remover

<REAR DOOR TRIM>



AC210019AB

**REAR DOOR TRIM REMOVAL
STEPS**

1. CAP
2. PULL HANDLE BOX
3. POWER WINDOW SWITCH
PANEL ASSEMBLY
4. DOOR INSIDE HANDLE COVER

**REAR DOOR TRIM REMOVAL
STEPS (Continued)**

5. REAR DOOR TRIM
6. REAR DOOR PULL HANDLE
BRACKET

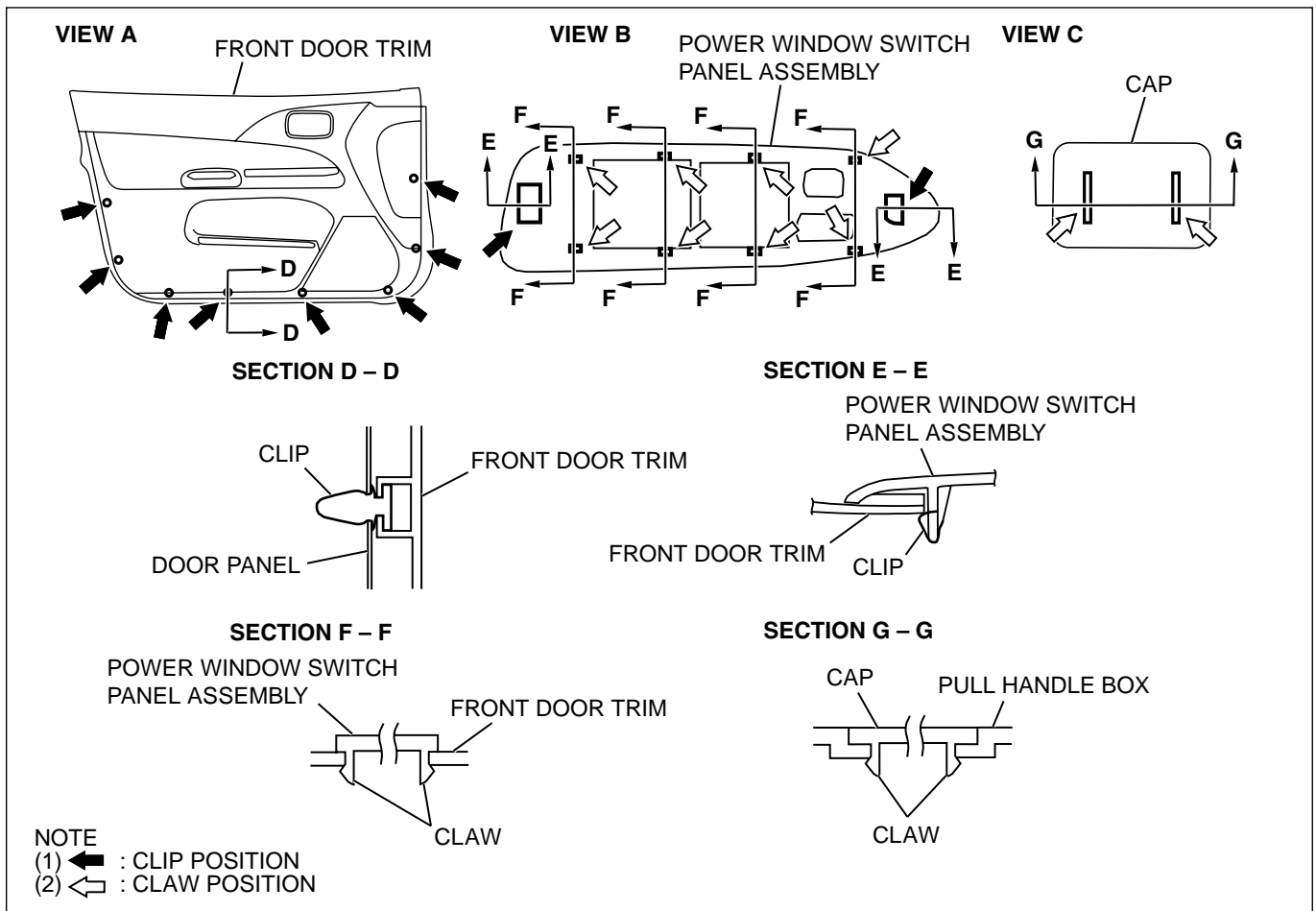
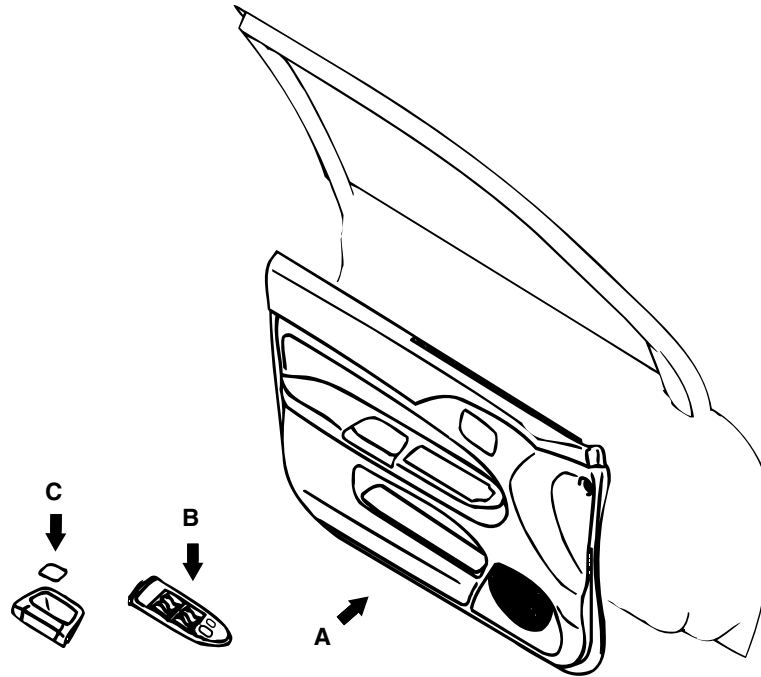
<<A>>

Required Special Tool:

- MB990784: Ornament remover

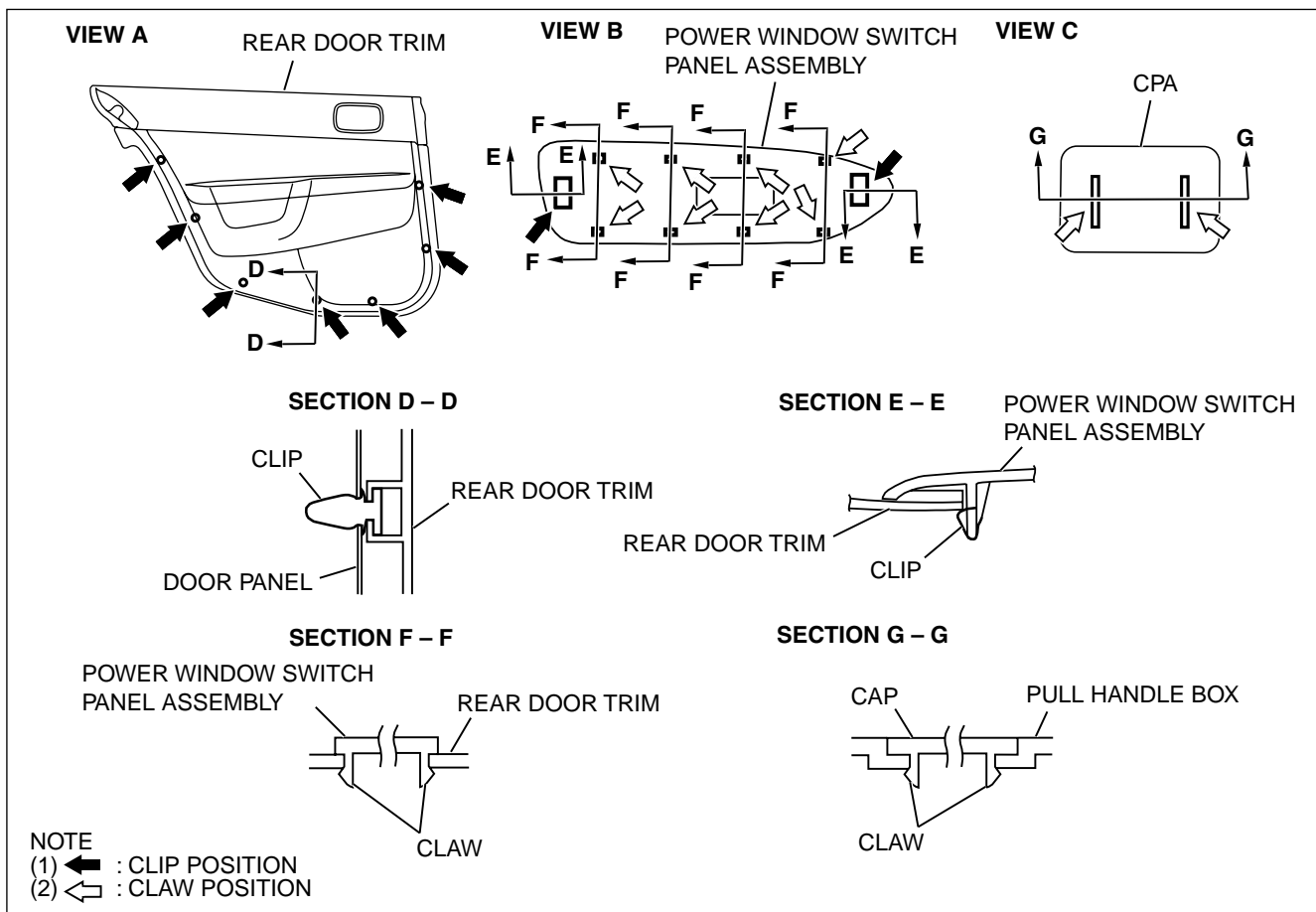
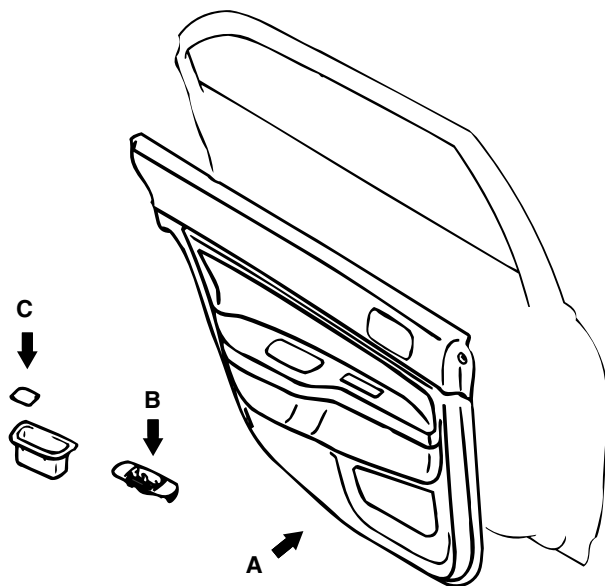
CLIP AND CLAW POSITIONS

<FRONT DOOR TRIM>



AC210245AB

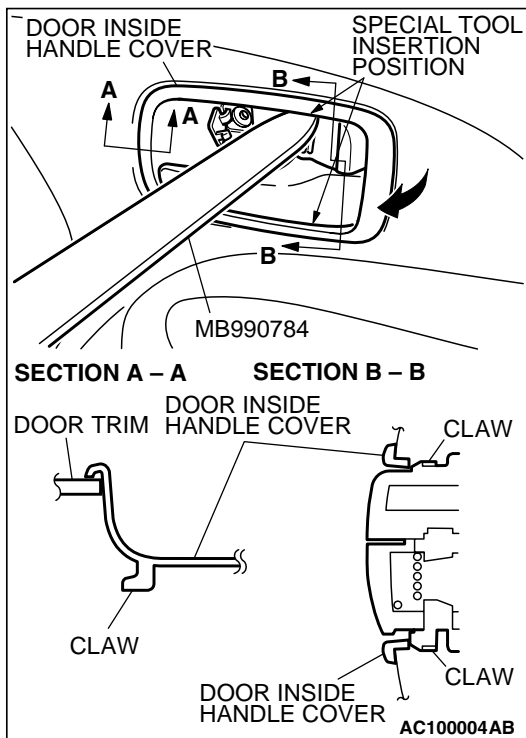
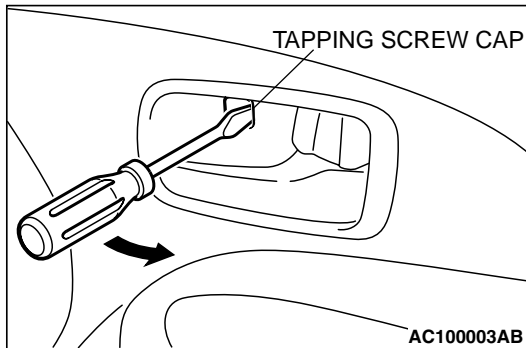
<REAR DOOR TRIM>



AC211593AD

REMOVAL SERVICE POINT

<<A>> DOOR INSIDE HANDLE COVER REMOVAL



1. Insert a flat-tipped screwdriver into the rear end of the tapping screw cap on the door inside handle cover, and pry out the cap in the direction shown. Then remove the tapping screw.
2. Insert special tool MB990784 into the clearance between the door inside handle cover and the door inside handle, and disengage the claws of the door inside handle.
3. Insert special tool MB990784 into the rear end of the inside handle cover, and pry out the cover in the direction shown. Then remove the door inside handle cover.

HEADLINING

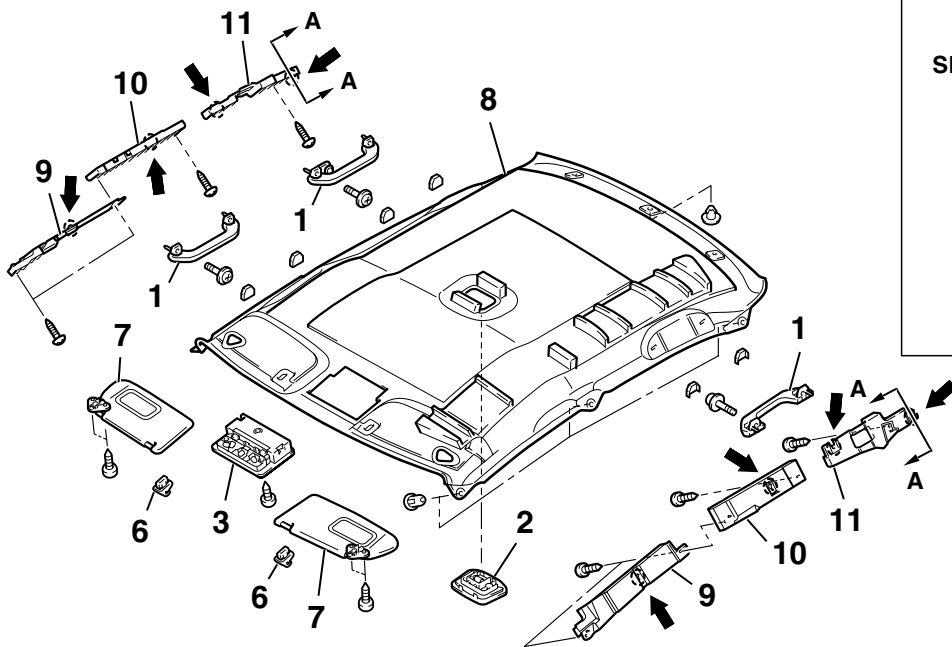
REMOVAL AND INSTALLATION

M1521001400274

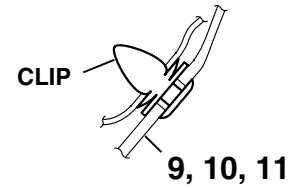
Pre-removal and Post-installation Operation

- Removal and Installation of Front Pillar Trim, Upper Center Pillar Trim, Rear Pillar Trim (Refer to P.52A-12.)

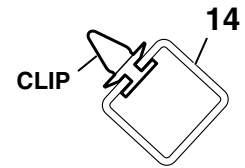
<VEHICLE WITHOUT SUNROOF>



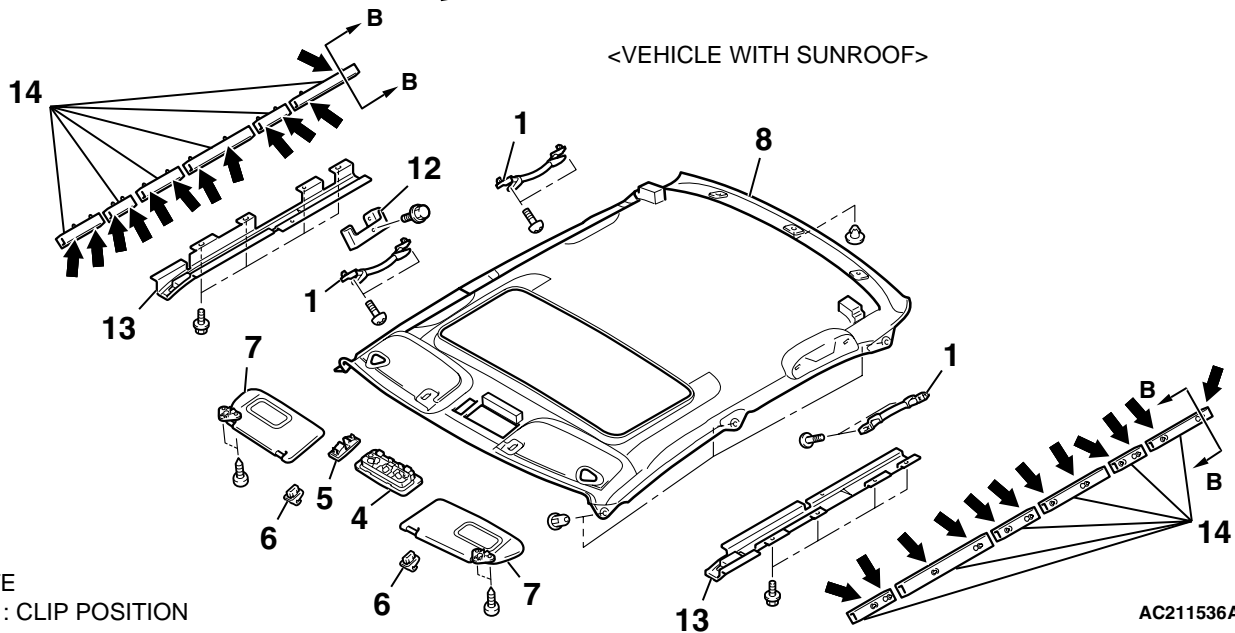
SECTION A - A



SECTION B - B



<VEHICLE WITH SUNROOF>



NOTE

← : CLIP POSITION

AC211536AB

TSB Revision

REMOVAL STEPS

1. ASSIST GRIP
2. REAR DOME LIGHT ASSEMBLY
<VEHICLE WITHOUT SUNROOF>
3. FRONT DOME LIGHT WITH
SUNGLASSES POCKET <VEHICLE
WITHOUT SUNROOF>
4. FRONT DOME LIGHT <VEHICLE
WITH SUNROOF>
5. SUNROOF SWITCH COVER
<VEHICLE WITH SUNROOF>
- <<A>> 6. SUN VISOR HOLDER
7. SUN VISOR ASSEMBLY
 - FRONT FLOOR CONSOLE
ASSEMBLY (REFER TO P.52A-9.)
- <> 8. HEADLINING

REMOVAL STEPS (Continued)

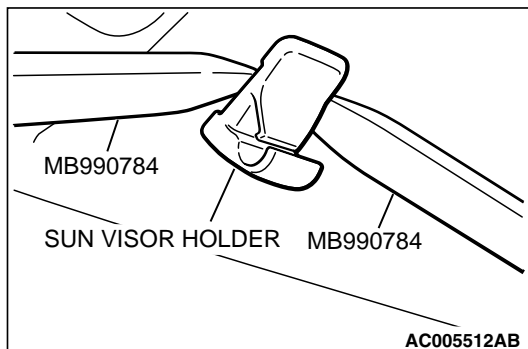
9. SIDE ROOF BOX, FRONT
<VEHICLE WITHOUT SUNROOF>
10. SIDE ROOF BOX, CENTER
<VEHICLE WITHOUT SUNROOF>
11. SIDE ROOF BOX, REAR <VEHICLE
WITHOUT SUNROOF>
12. ASSIST GRIP BRACKET <VEHICLE
WITH SUNROOF>
13. ROOF ENERGY ABSORBER
BRACKET <VEHICLE WITH
SUNROOF>
14. ENERGY ABSORBER TUBE
<VEHICLE WITH SUNROOF>

Required Special Tool:

- MB990784: Ornament remover

REMOVAL SERVICE POINTS**<<A>> SUN VISOR HOLDER REMOVAL**

Insert special tool MB990784 into side claws of the sun visor holder through both sides of the sun visor holder, to remove the hinges.

**<> HEADLINING REMOVAL**

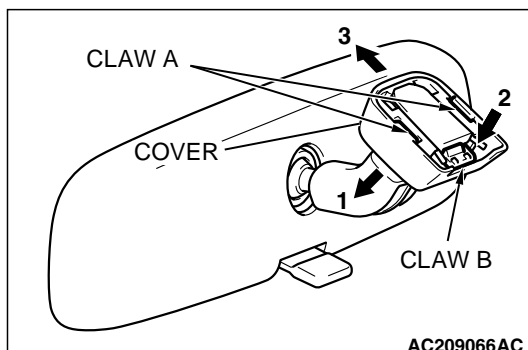
Bend the headlining to remove from the front passenger's door.

INSIDE REAR VIEW MIRROR

M1521002600152

REMOVAL SERVICE POINT

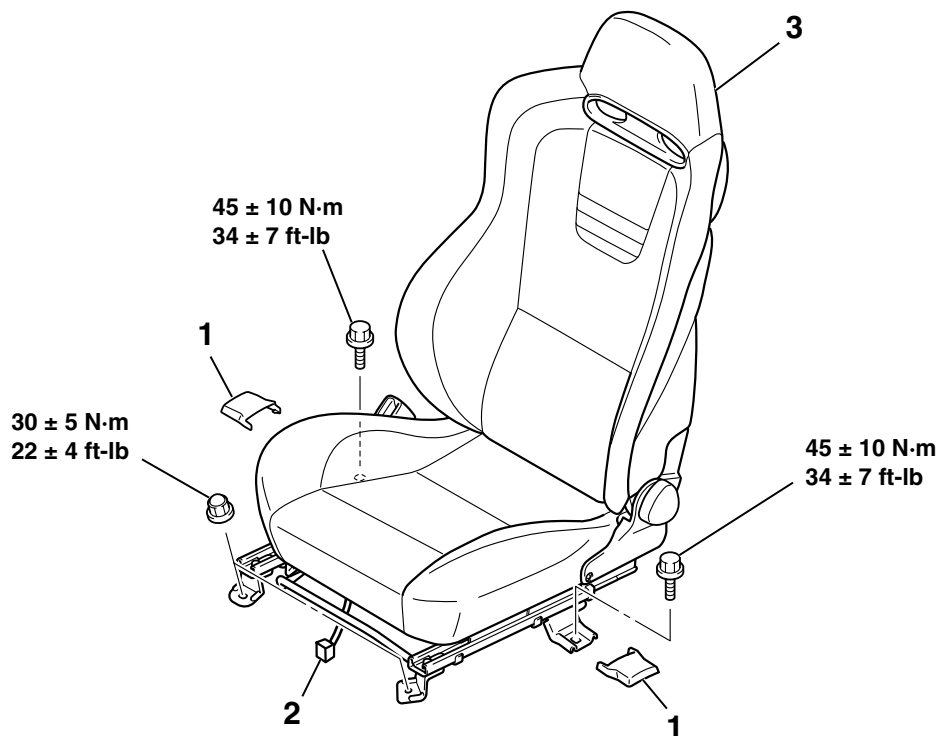
1. Disengage claw A and lower the cover in the arrow 1 direction.
2. Push claw B in the arrow 2 direction to unlock, and pull out the mirror in the arrow 3 direction.



FRONT SEAT ASSEMBLY

REMOVAL AND INSTALLATION

M1522001300281



AC210735AB

REMOVAL STEPS

1. FRONT SEAT ANCHOR COVER

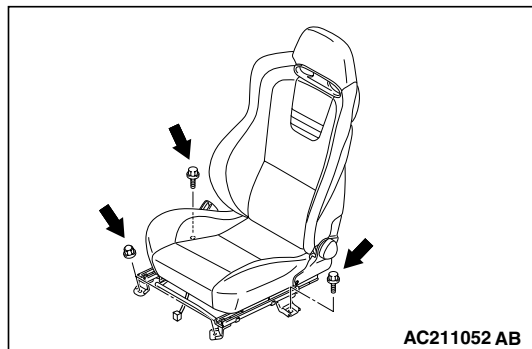
REMOVAL STEPS (Continued)

2. HARNESS CONNECTOR
 3. FRONT SEAT ASSEMBLY
- >>A<<

INSTALLATION SERVICE POINT

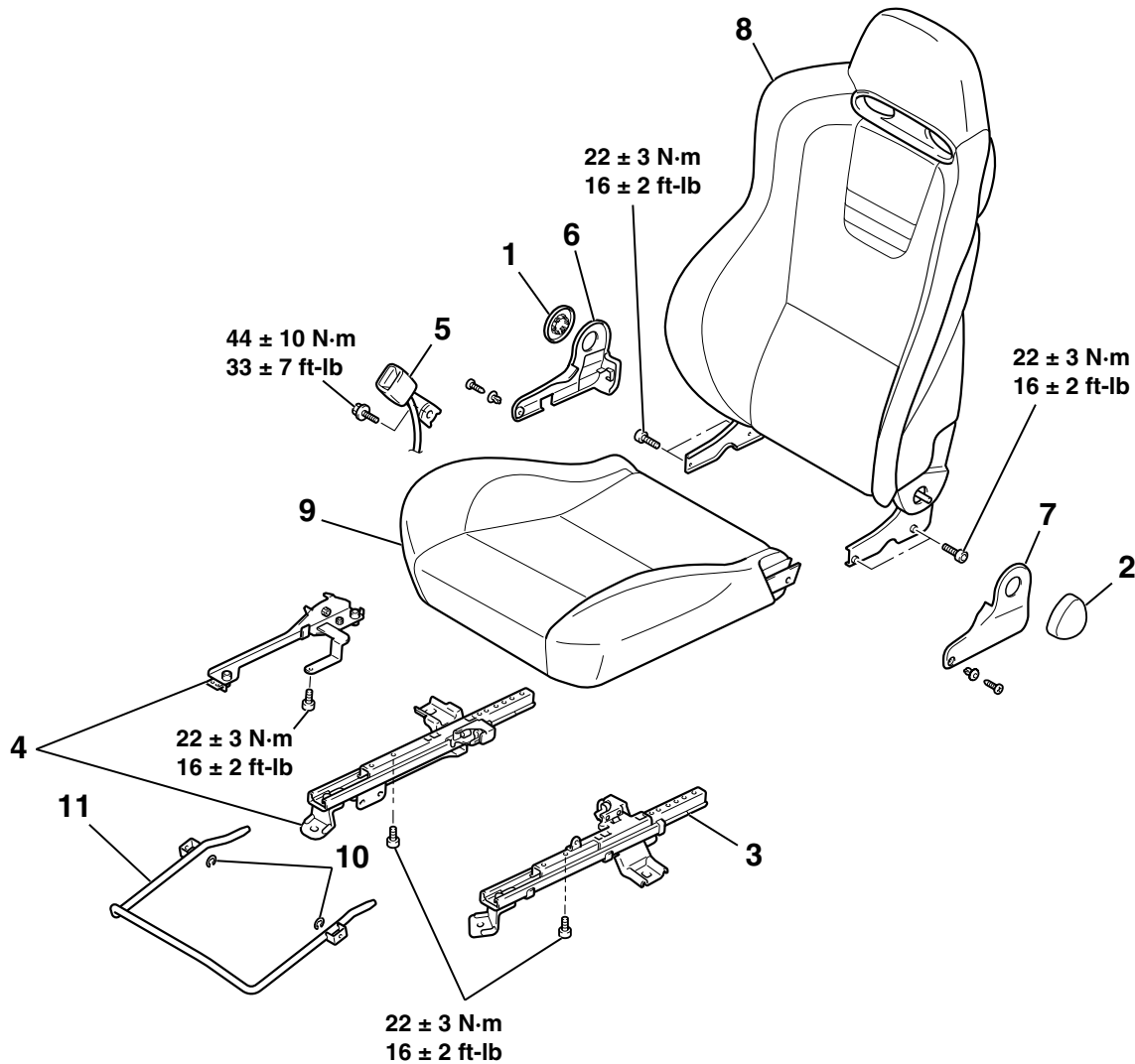
>>A<< FRONT SEAT ASSEMBLY INSTALLATION

1. Temporarily tighten the nuts and bolts in all mounting locations shown in the illustration with no load applied to the front seat cushion, and check the operation of the seat slide.
2. Tighten the nuts and bolts in all mounting locations to the specified torque.



DISASSEMBLY AND ASSEMBLY

M1522001500649



AC210103AB

DISASSEMBLY STEPS

1. CAP
2. RECLINING ADJUSTER KNOB
3. SLIDE ADJUSTER OUTER
4. SLIDE ADJUSTER INNER
5. INNER SEAT BELT
6. CUSHION SHIELD INNER

DISASSEMBLY STEPS

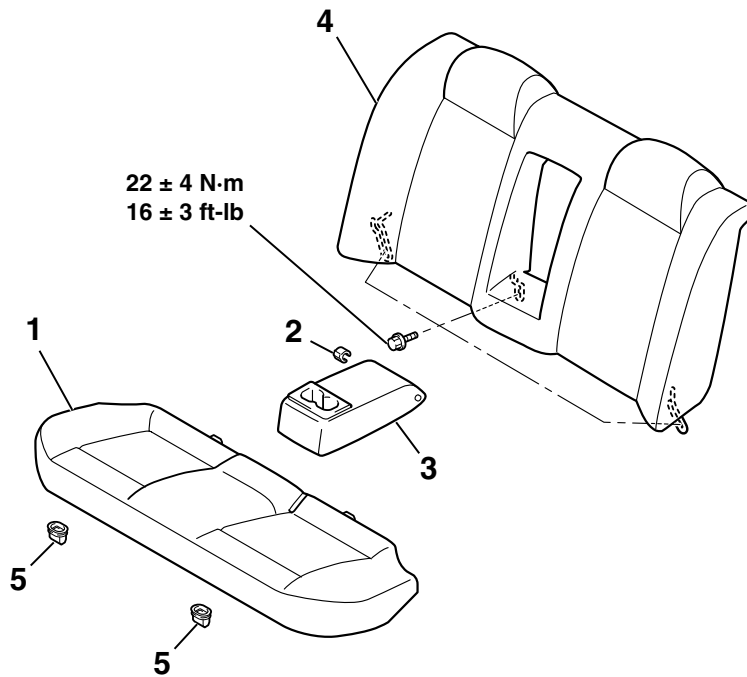
7. CUSHION SHIELD OUTER
8. SEATBACK ASSEMBLY
9. SEAT CUSHION ASSEMBLY
10. SNAP RING
11. SLIDE ADJUSTER LEVER

REAR SEAT ASSEMBLY

REMOVAL AND INSTALLATION

M1522001800349

<STANDARD FEATURE>

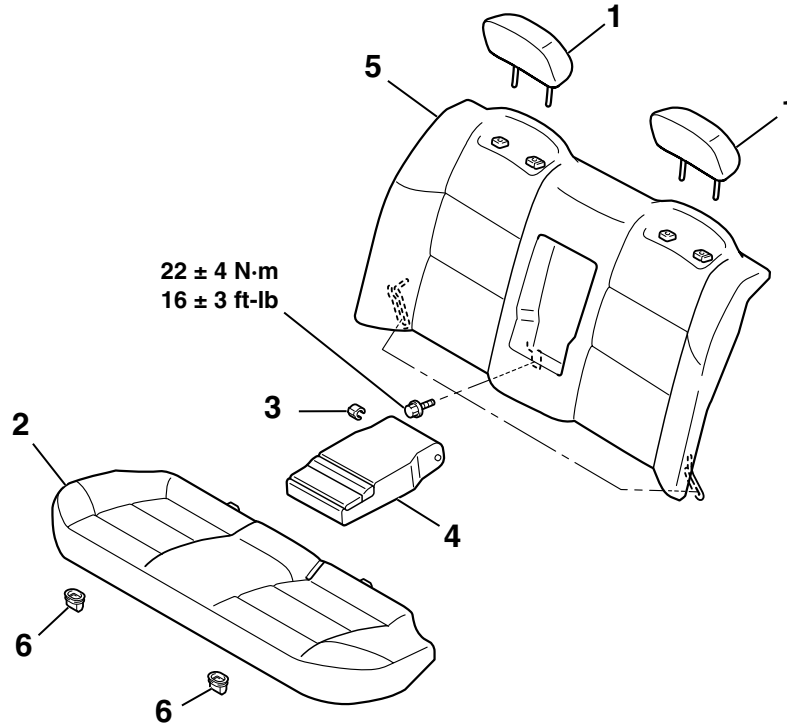


AC210050AC

- >>B<<
- REMOVAL STEPS**
1. REAR SEAT CUSHION ASSEMBLY
 2. ARMREST SPACER

- >>A<<
- REMOVAL STEPS (Continued)**
3. ARMREST
 4. REAR SEATBACK ASSEMBLY
 5. REAR SEAT HOOK

<OPTION>



AC310031 AD

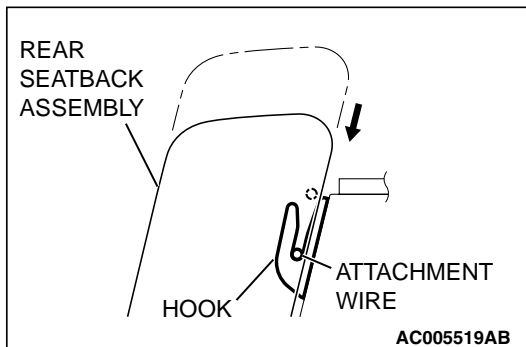
- >>B<<
1. HEAD RESTRAINT
 2. REAR SEAT CUSHION ASSEMBLY
 3. ARMREST SPACER

- >>A<<
- REMOVAL STEPS (Continued)**
4. ARMREST
 5. REAR SEATBACK ASSEMBLY
 6. REAR SEAT HOOK

INSTALLATION SERVICE POINTS

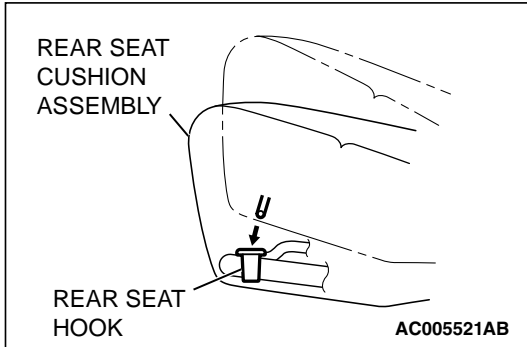
>>A<< INSTALLATION OF REAR SEATBACK ASSEMBLY

Press the rear seatback assembly in the direction shown in the illustration and fit the attachment wire into the hook securely to install the rear seatback assembly.



>>B<< INSTALLATION OF REAR SEAT CUSHION ASSEMBLY

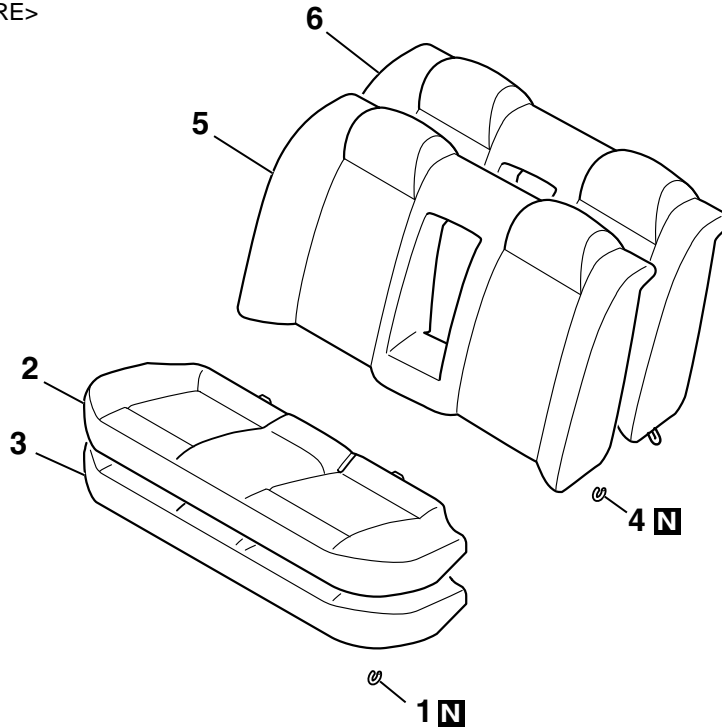
Fit the rear seat cushion into the rear seat hook securely.



DISASSEMBLY AND ASSEMBLY

M1522002000391

<STANDARD FEATURE>



AC210052AC

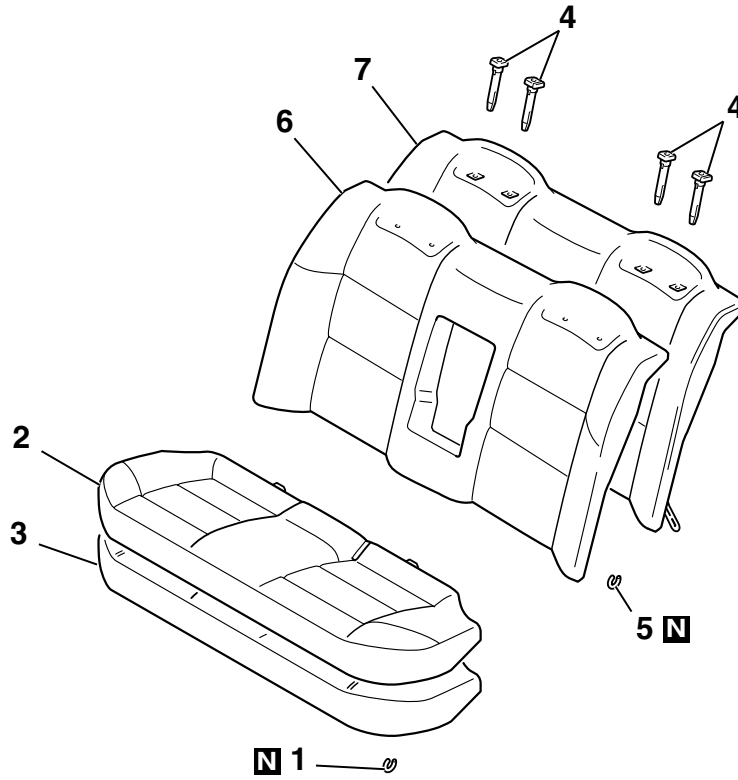
DISASSEMBLY STEPS

1. HOG RING
2. REAR SEAT CUSHION COVER
3. REAR SEAT CUSHION PAD

DISASSEMBLY STEPS

4. HOG RING
5. REAR SEATBACK COVER
6. REAR SEATBACK PAD

<OPTION>



AC310045 AD

DISASSEMBLY STEPS

1. HOG RING
2. REAR SEAT CUSHION COVER
3. REAR SEAT CUSHION PAD
4. HEADREST GUIDE

DISASSEMBLY STEPS

4. HOG RING
5. REAR SEATBACK COVER
6. REAR SEATBACK PAD

FRONT SEAT BELT

REMOVAL AND INSTALLATION

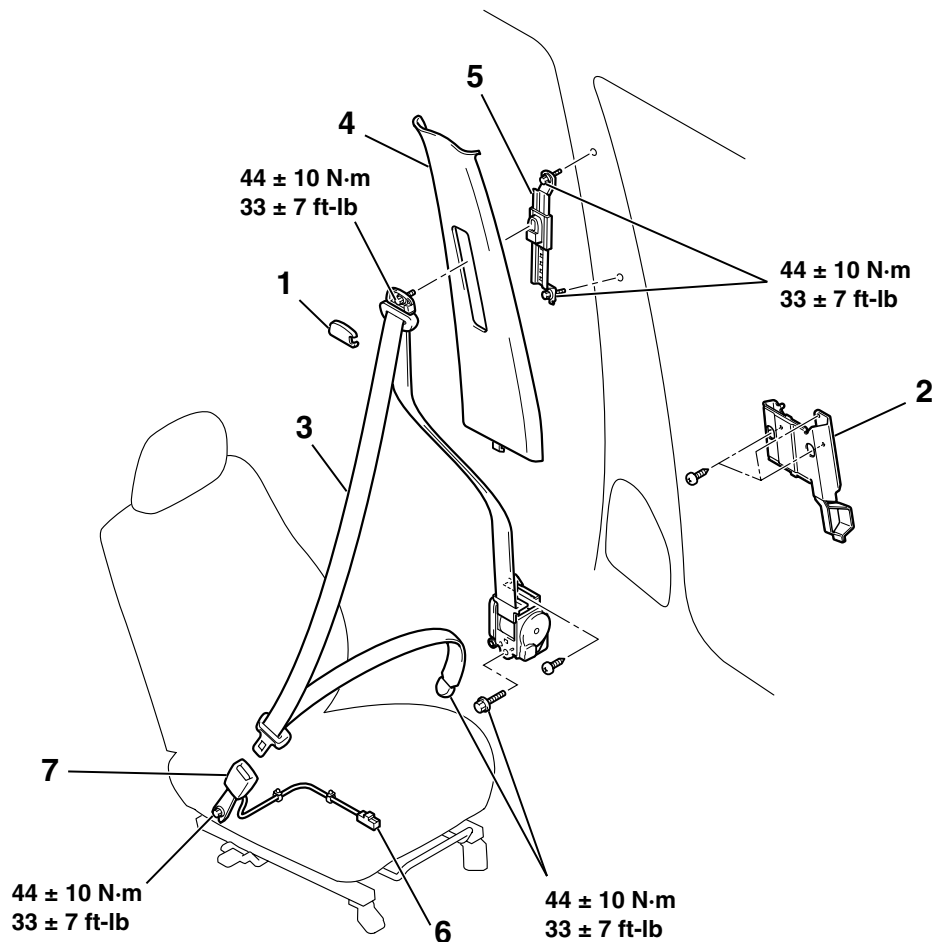
M1523001300530

CAUTION

SRS: Before removing and installing the seat belts with pre-tensioner, refer to GROUP 52B, Seat Belts with Pre-tensioner [P.52B-179](#).

Pre-removal and Post-installation Operation

- Turn the ignition key to the LOOK (OFF) position.
- Disconnect the negative battery terminal.



AC210265AB

OUTER SEAT BELT REMOVAL STEPS

1. SASH GUIDE COVER
 - LOWER CENTER PILLAR TRIM (REFER TO [P.52A-12](#).)
2. BRACKET
3. OUTER SEAT BELT (REFER TO GROUP 52B, SEAT BELTS WITH PRE-TENSIONER [P.52B-179](#))

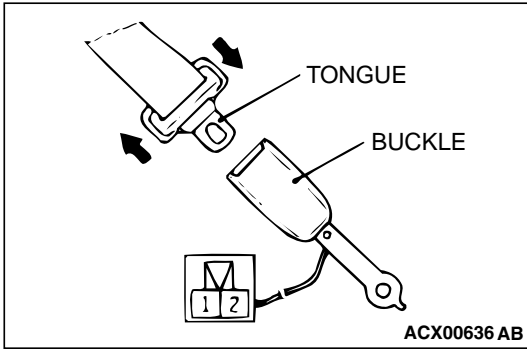
OUTER SEAT BELT REMOVAL STEPS (Continued)

4. UPPER CENTER PILLAR TRIM (REFER TO [P.52A-12](#).)
 5. ADJUSTABLE SEAT BELT ANCHOR
- #### INNER SEAT BELT REMOVAL STEPS
6. HARNESS CONNECTOR
 - SHIELD COVER (REFER TO [P.52A-22](#).)
 7. INNER SEAT BELT

INSPECTION

M1523001400366

SEAT BELT SWITCH CONTINUITY CHECK

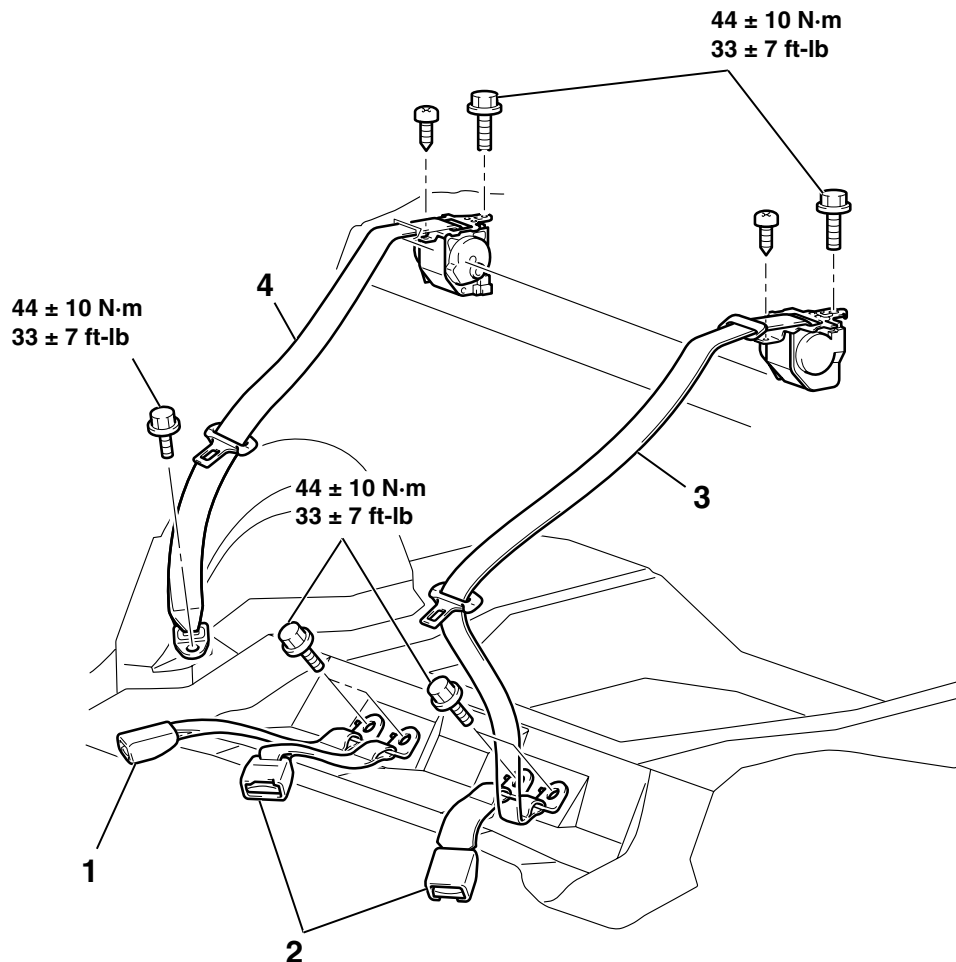


ITEMS	TESTER CONNECTION	SPECIFIED CONDITION
Fastened seat belt	1 – 2	Open circuit
Unfastened seat belt	1 – 2	Less than 2 ohms

REAR SEAT BELT

REMOVAL AND INSTALLATION

M1523001600285



AC211443AB

REMOVAL STEPS

- REAR SEAT CUSHION ASSEMBLY (REFER TO P.52A-23.)
- REAR SEATBACK ASSEMBLY (REFER TO P.52A-23.)
- REAR SHELF TRIM (REFER TO P.52A-12.)

REMOVAL STEPS (Continued)

1. CENTER SEAT BELT, INNER
2. INNER SEAT BLET
3. CENTER SEAT BELT, OUTER
4. OUTER SEAT BELT

SPECIFICATIONS**FASTENER TIGHTENING SPECIFICATION**

M1521004100205

ITEM	SPECIFICATION
TRIMS	
Child restraint fitting bolt	22 ± 4 N·m (16 ± 3 ft-lb)
FRONT SEAT ASSEMBLY	
Seatback assembly bolt	22 ± 3 N·m (16 ± 2 ft-lb)
Front seat assembly bolt	45 ± 10 N·m (34 ± 7 ft-lb)
Front seat assembly nut	30 ± 5 N·m (22 ± 4 ft-lb)
Slide adjuster inner bolt	22 ± 3 N·m (16 ± 2 ft-lb)
Slide adjuster outer bolt	22 ± 3 N·m (16 ± 2 ft-lb)
REAR SEAT ASSEMBLY	
Rear seatback assembly bolt	22 ± 4 N·m (16 ± 3 ft-lb)
FRONT SEAT BELT	
Adjustable seat belt anchor bolt	44 ± 10 N·m (33 ± 7 ft-lb)
Inner seat belt bolt	44 ± 10 N·m (33 ± 7 ft-lb)
Outer seat belt bolt	44 ± 10 N·m (33 ± 7 ft-lb)
REAR SEAT BELT	
Center seat belt, inner bolt	44 ± 10 N·m (33 ± 7 ft-lb)
Center seat belt, outer bolt	44 ± 10 N·m (33 ± 7 ft-lb)
Inner seat belt bolt	44 ± 10 N·m (33 ± 7 ft-lb)
Outer seat belt bolt	44 ± 10 N·m (33 ± 7 ft-lb)