

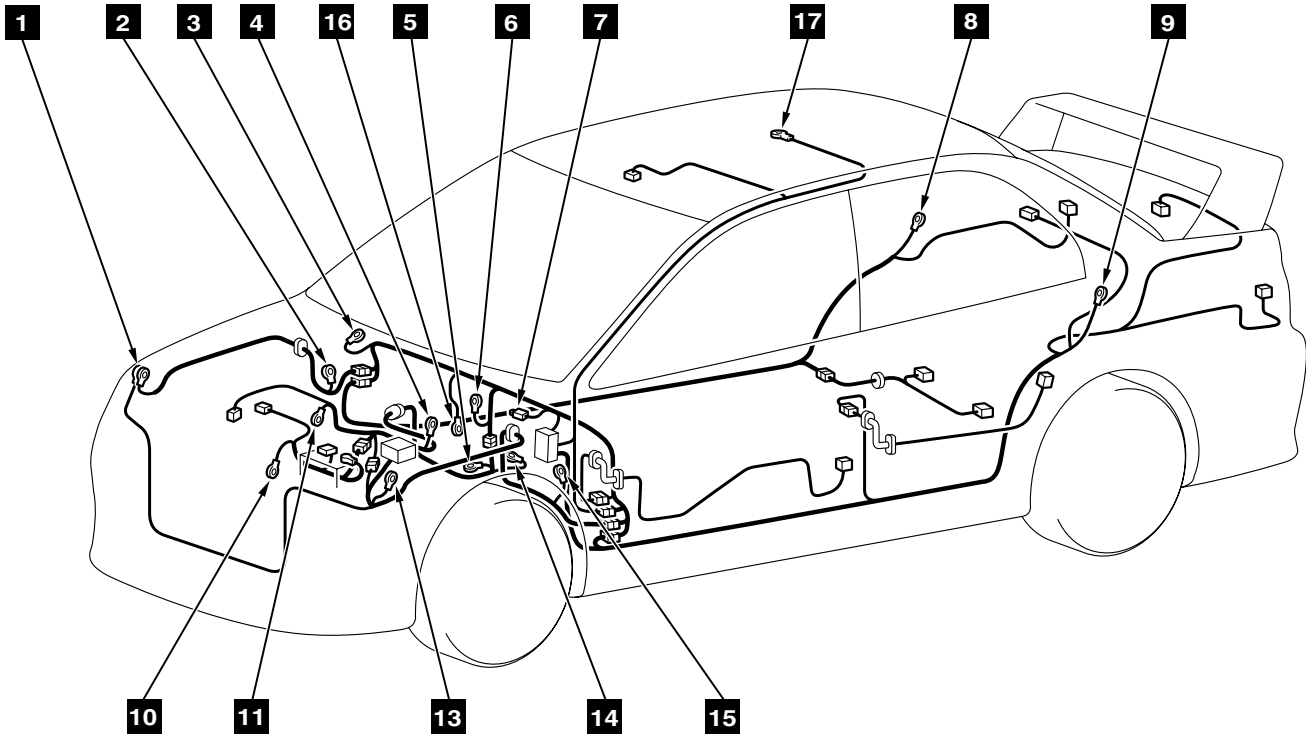
---

**GROUP 70****COMPONENT  
LOCATIONS****CONTENTS**

<b>GROUNDING .....</b>	<b>70-2</b>	<b>SENSOR .....</b>	<b>70-8</b>
<b>GROUNDING CABLE .....</b>	<b>70-4</b>	<b>CONTROL UNIT .....</b>	<b>70-12</b>
<b>FUSIBLE LINK, FUSE AND IOD OR STORAGE CONNECTOR .....</b>	<b>70-5</b>	<b>OTHER DEVICES .....</b>	<b>70-14</b>
<b>RELAY .....</b>	<b>70-6</b>	<b>SOLENOID AND SOLENOID VALVE .....</b>	<b>70-15</b>
<b>INSPECTION TERMINAL .....</b>	<b>70-7</b>		

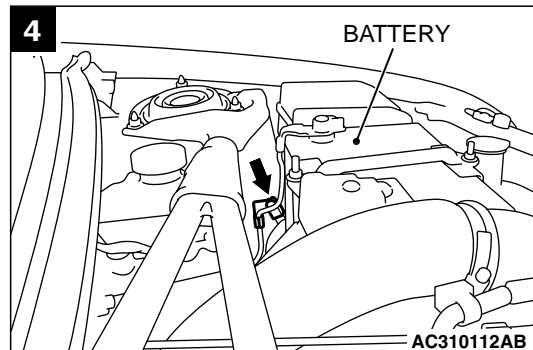
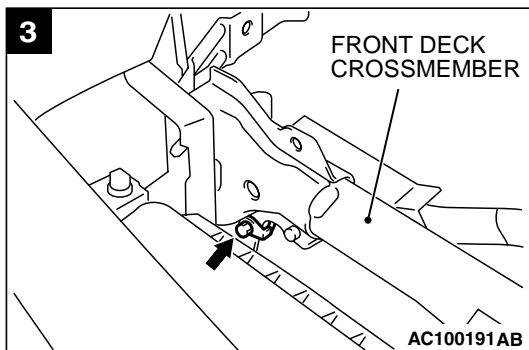
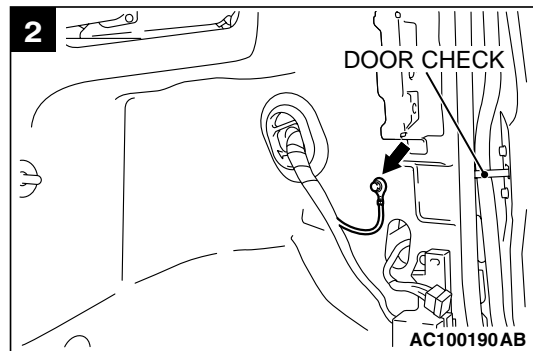
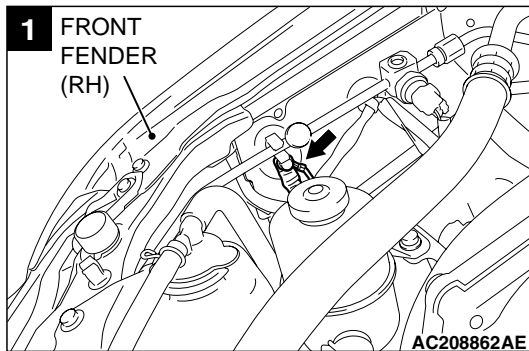
# GROUNDING

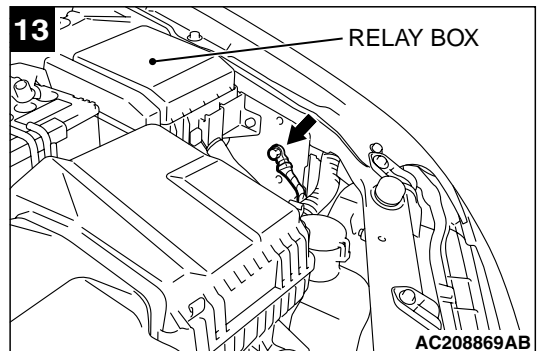
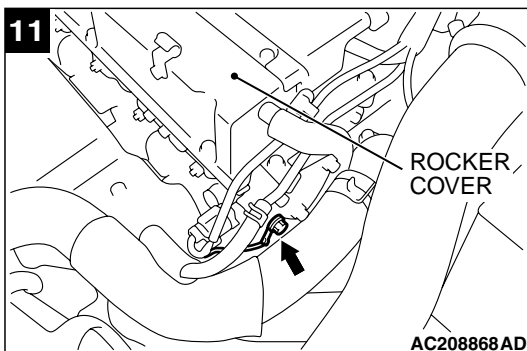
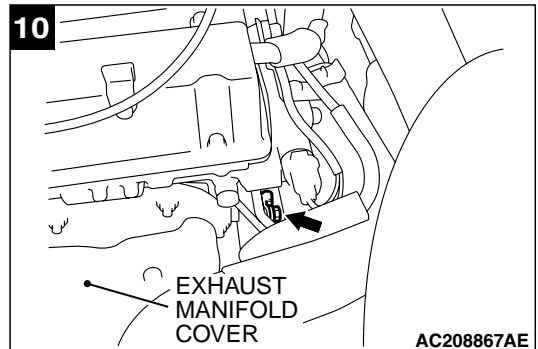
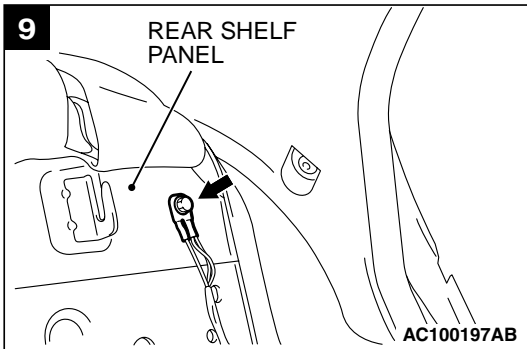
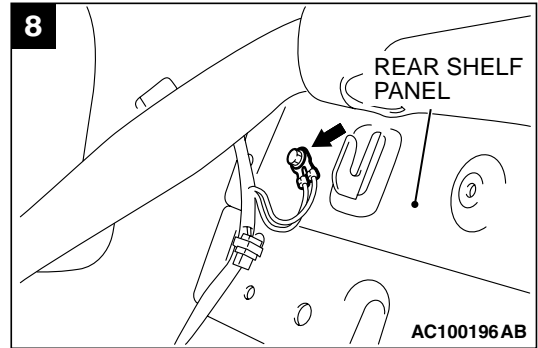
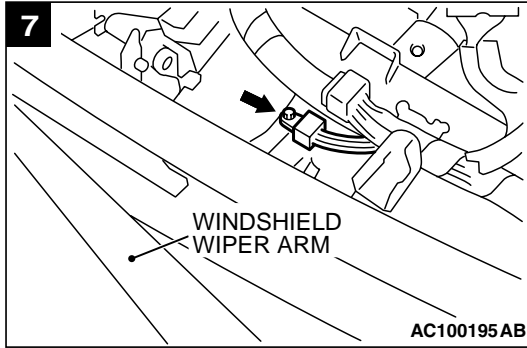
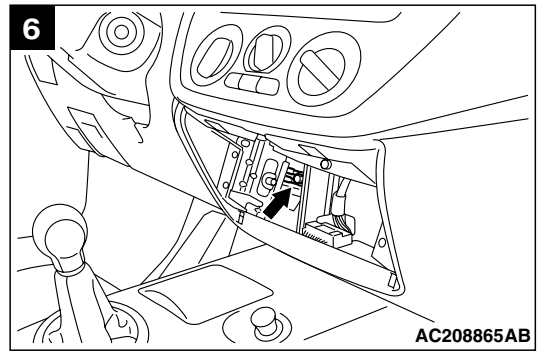
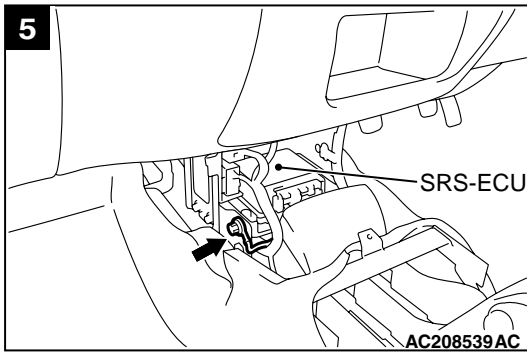
M1701000300630

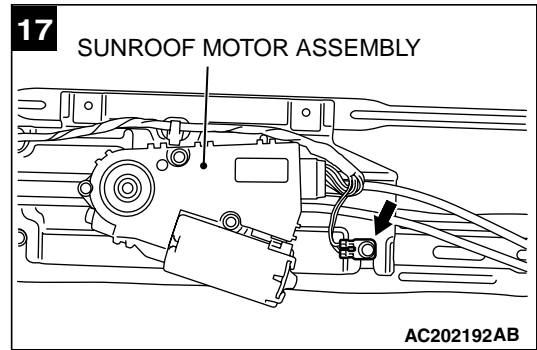
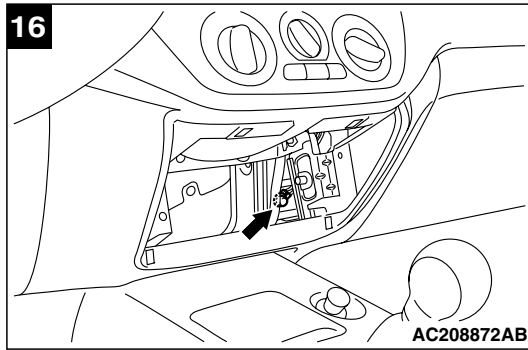
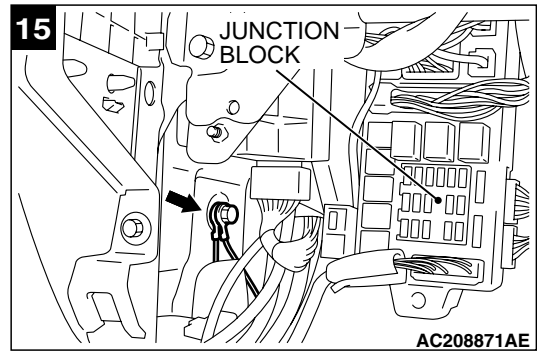
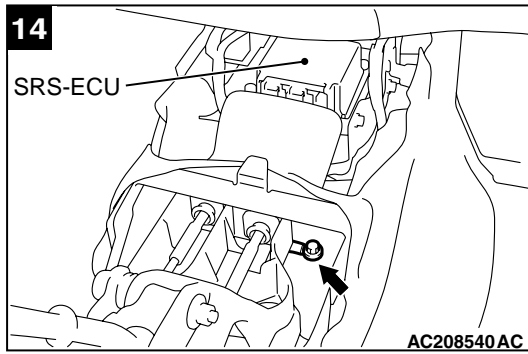


AC208856 AB

**NOTE:** Numbers 1 to 17 correspond to the body ground point numbers in CIRCUIT DIAGRAMS.

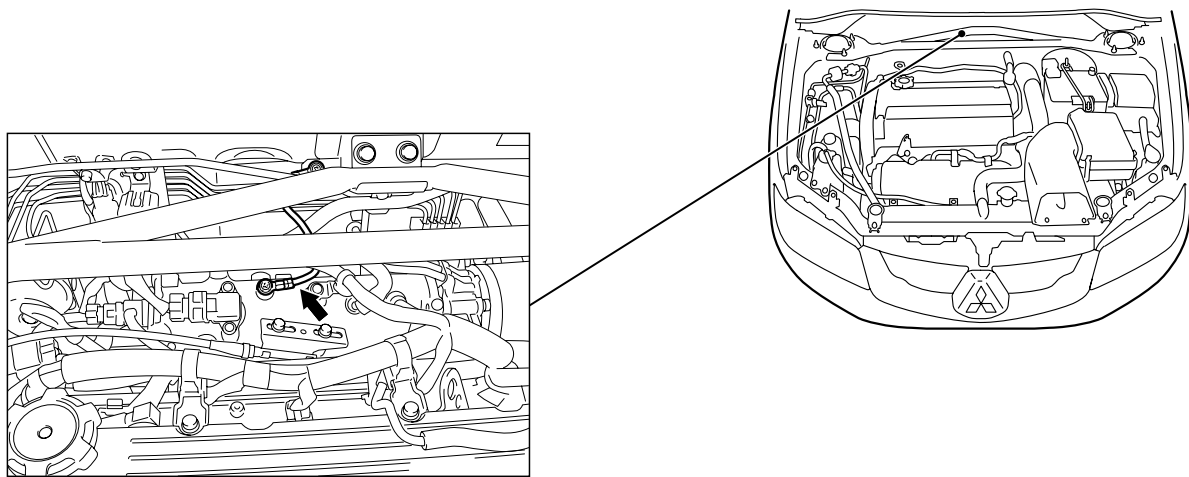






## GROUNDING CABLE

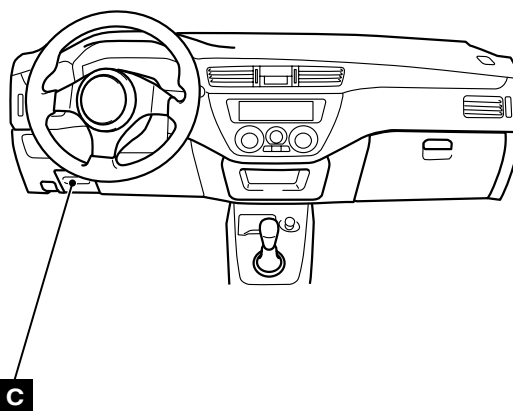
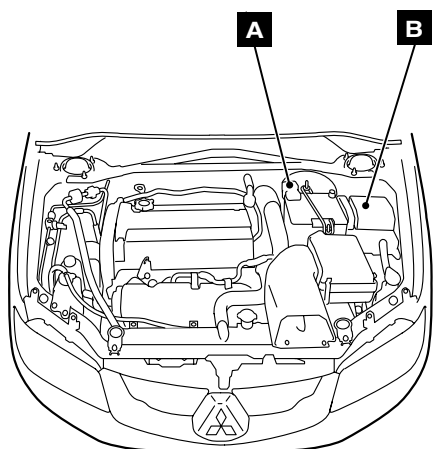
M1701001000364



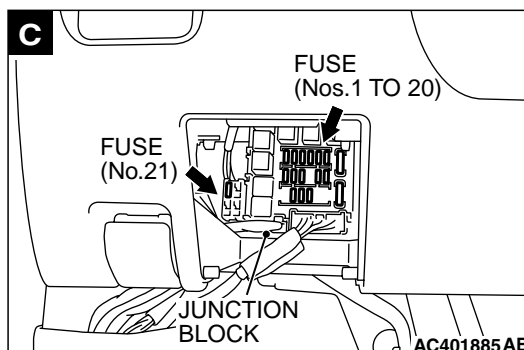
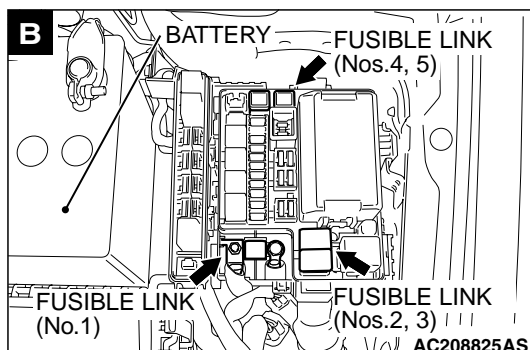
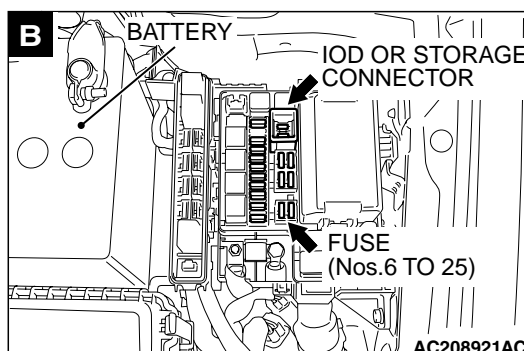
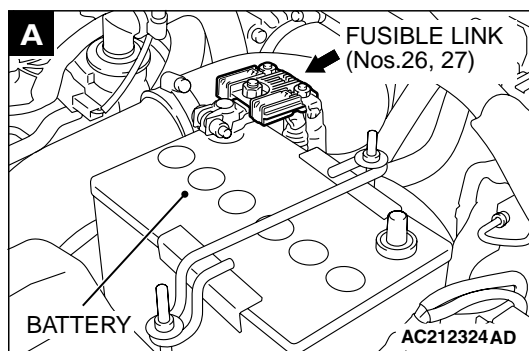
# FUSIBLE LINK, FUSE AND IOD OR STORAGE CONNECTOR

M1701000100636

NAME	SYMBOL	NAME	SYMBOL
Fuse Nos.1 to 21 (Passenger compartment)	C	Fusible link Nos.26, 27 (Battery positive terminal)	A
Fuse Nos.6 to 25 (Engine compartment)	B	IOD or storage connector	B
Fusible link Nos.1 to 5 (Engine compartment)	B		

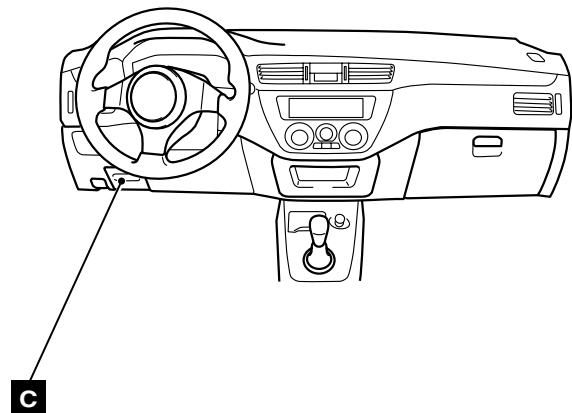
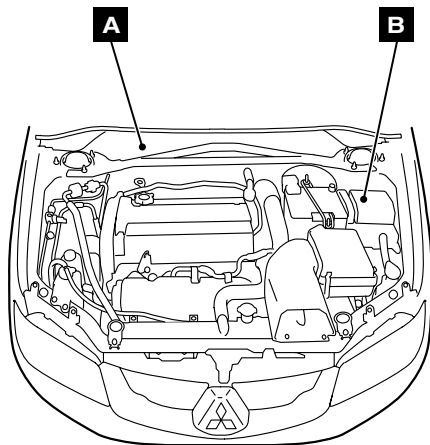


AC310114AB

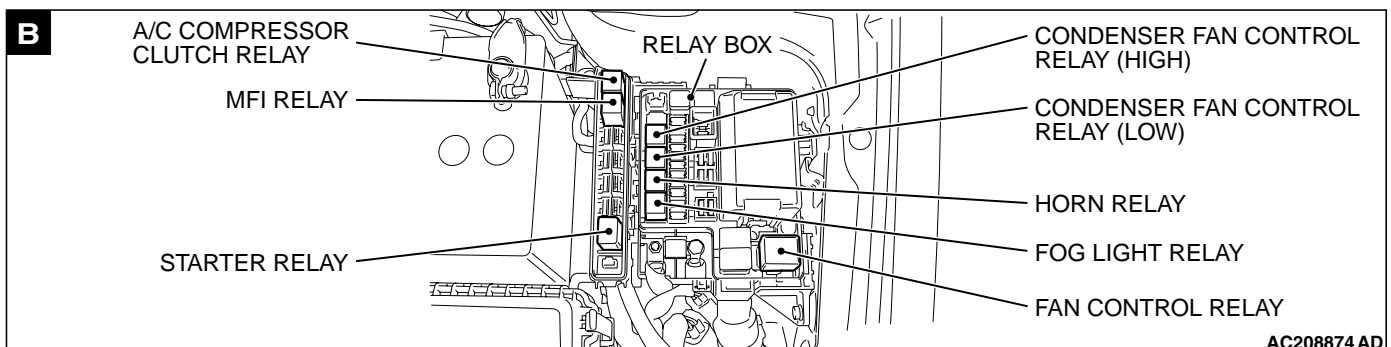
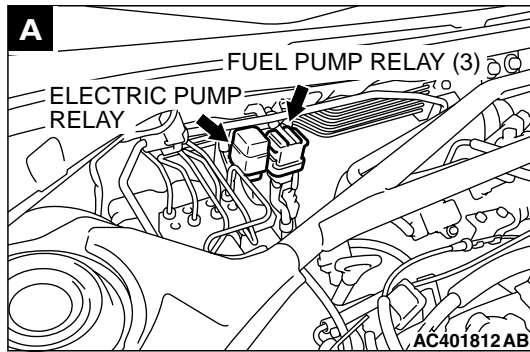


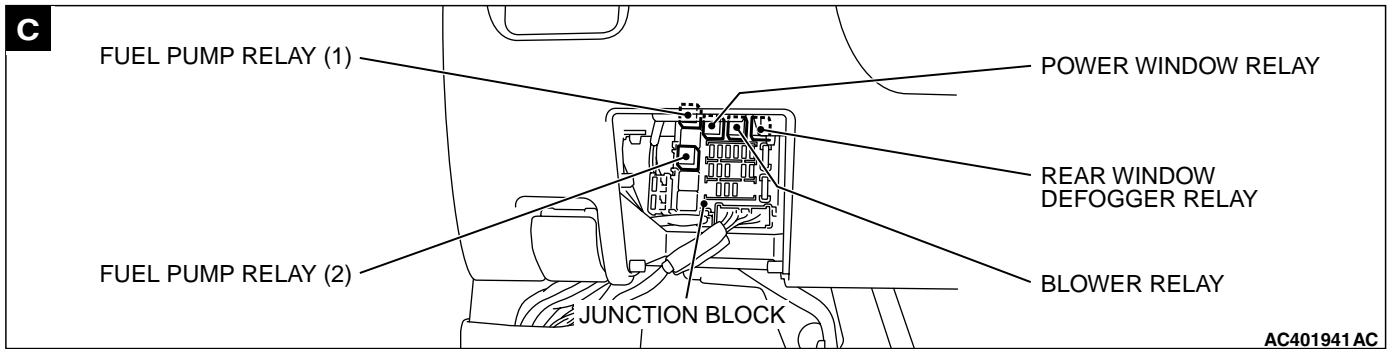
# RELAY

NAME	SYMBOL	NAME	SYMBOL
A/C compressor clutch relay	B	Fuel pump relay (2)	C
Blower relay	C	Fuel pump relay (3)	A
Condenser fan control relay (HIGH)	B	Horn relay	B
Condenser fan control relay (LOW)	B	MFI relay	B
Electric pump relay	A	Power window relay	C
Fan control relay	B	Rear window defogger relay	C
Fog light relay	B	Starter relay	B
Fuel pump relay (1)	C		



AC310114AC

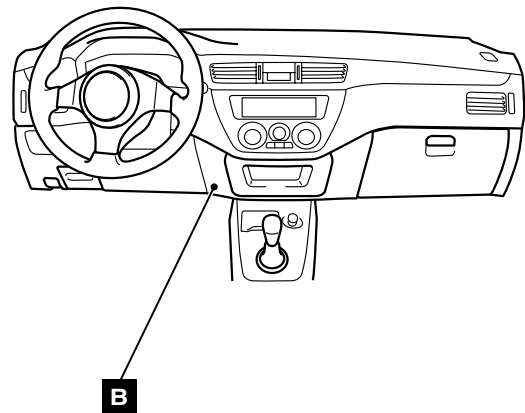
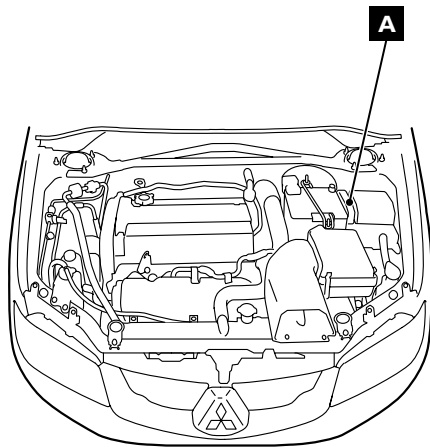




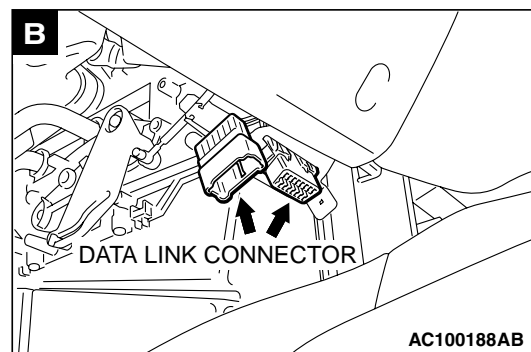
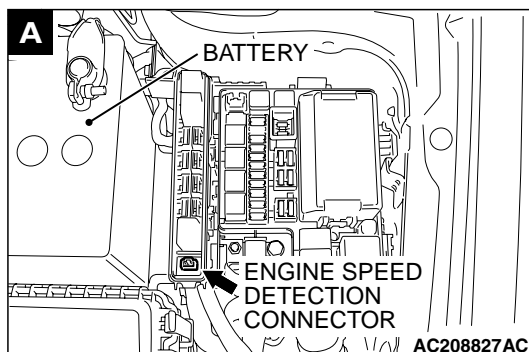
## INSPECTION TERMINAL

M1701000200569

NAME	SYMBOL	NAME	SYMBOL
Data link connector	B	Engine speed detection connector	A

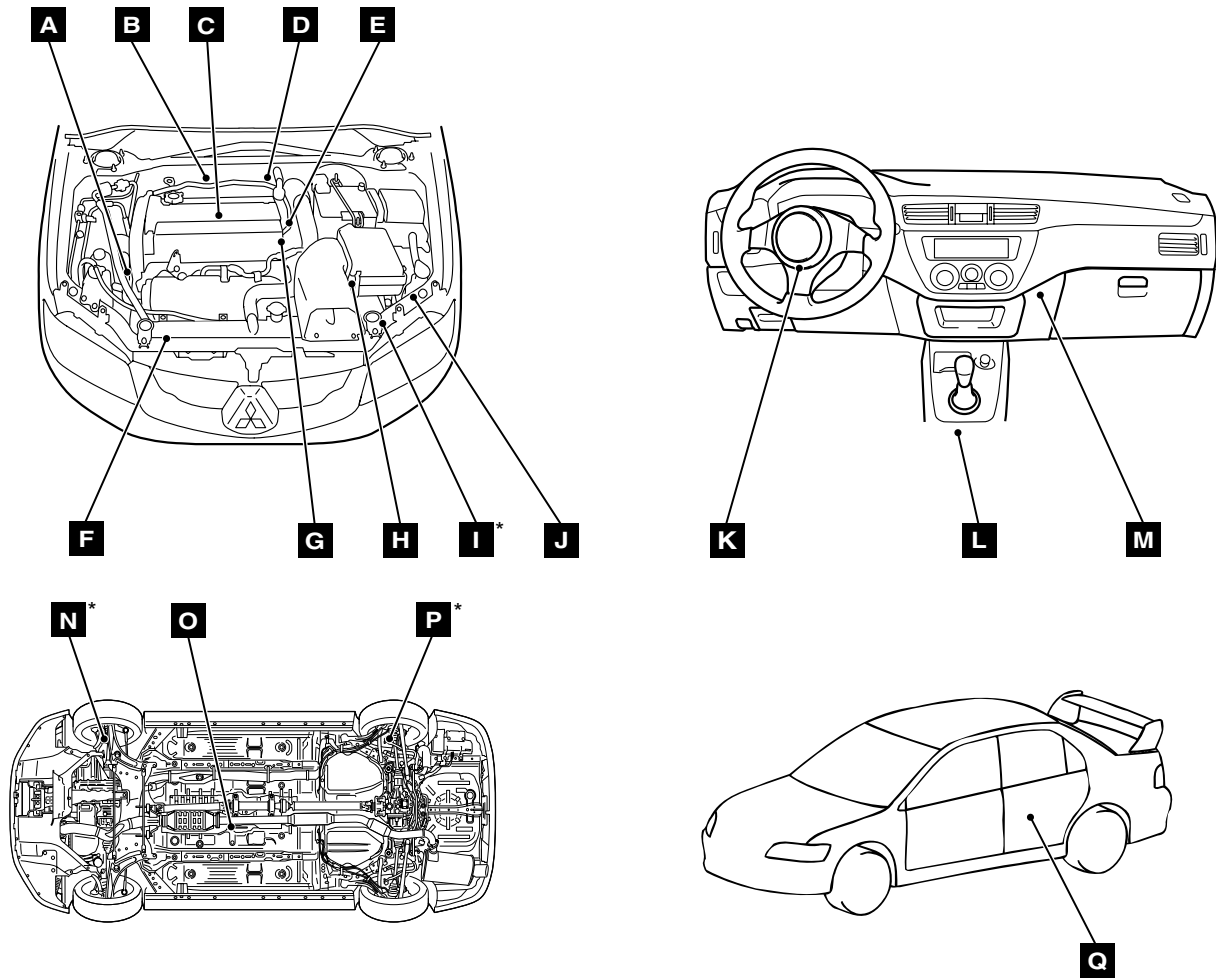


AC310114AD



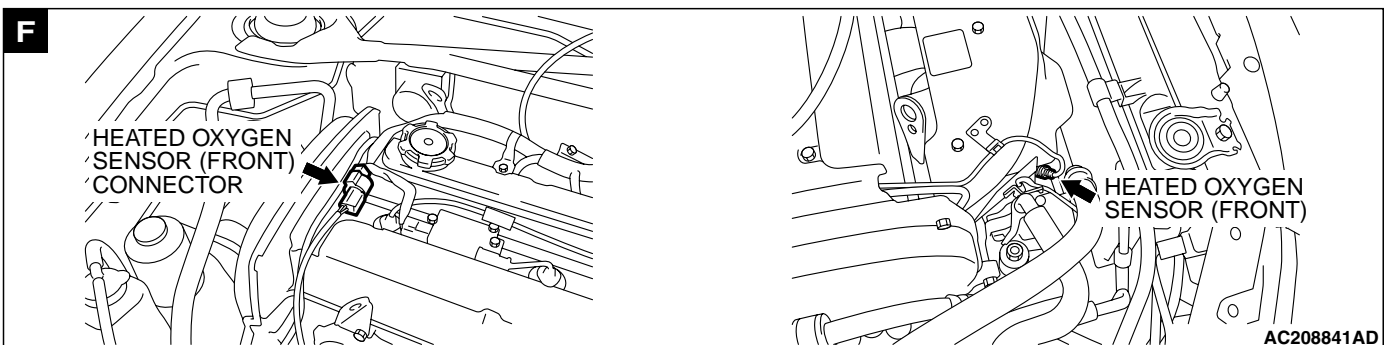
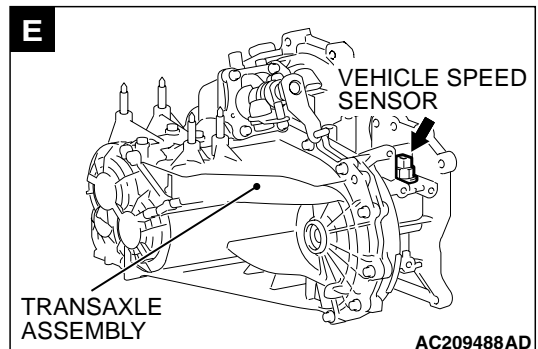
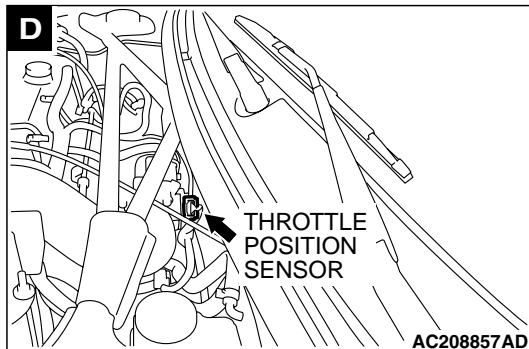
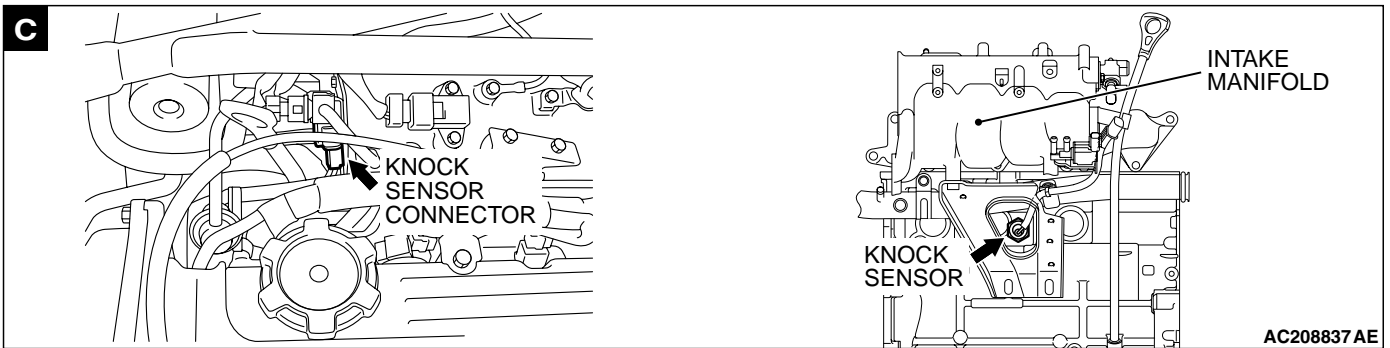
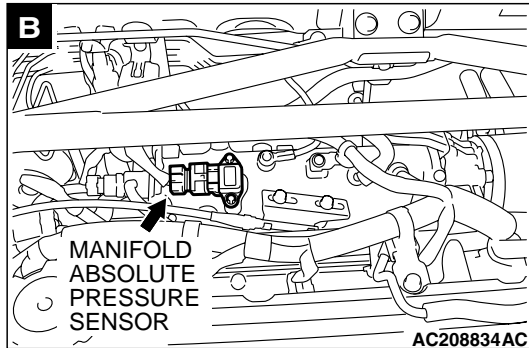
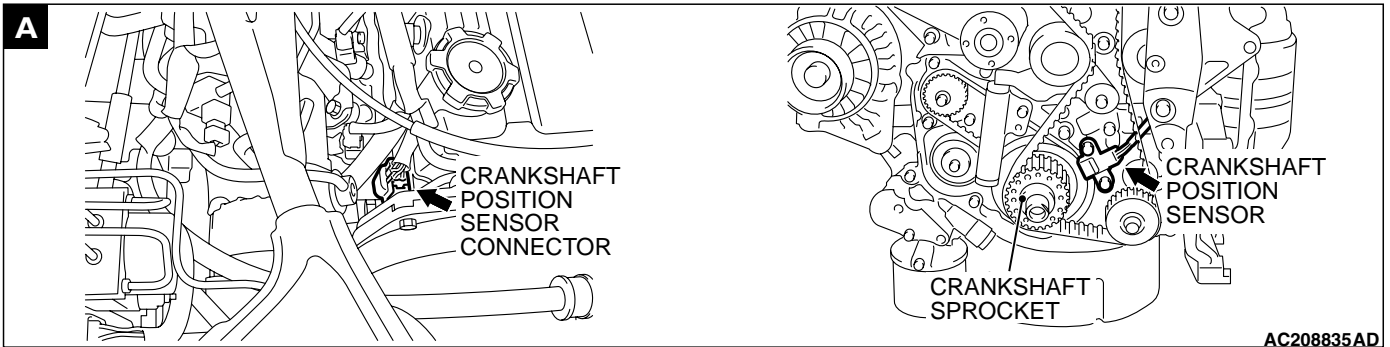
**SENSOR**

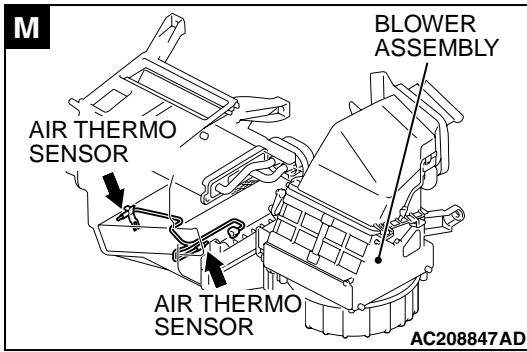
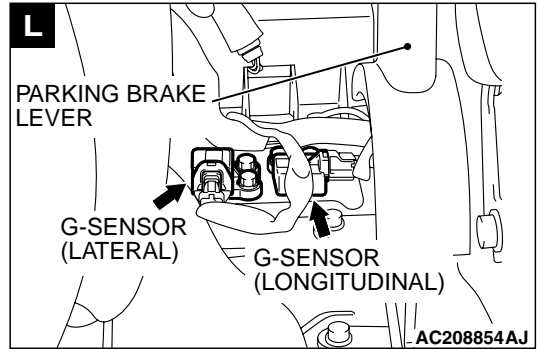
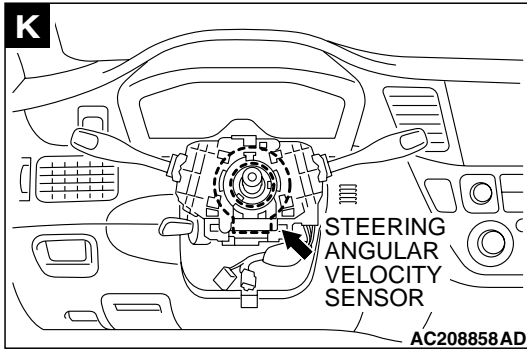
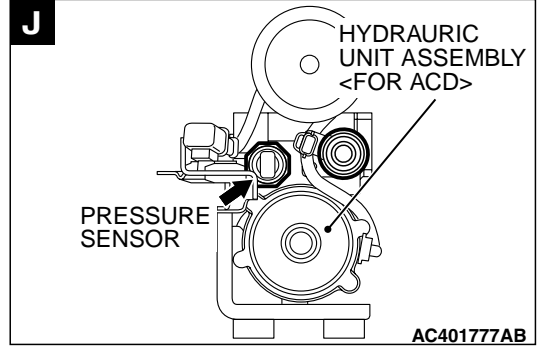
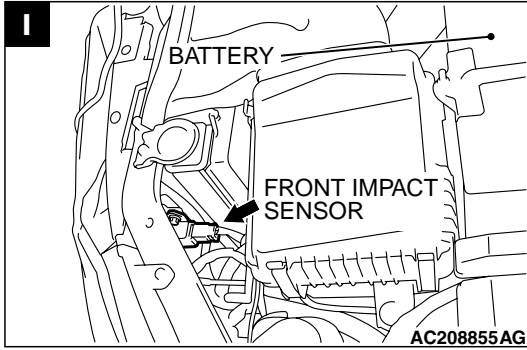
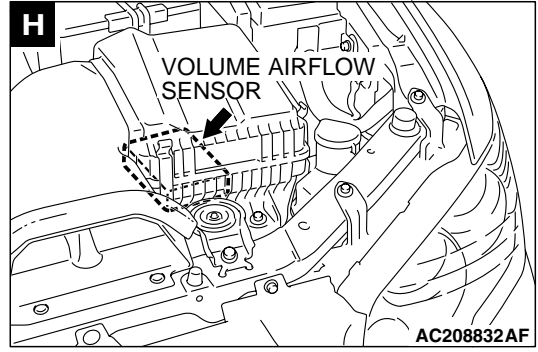
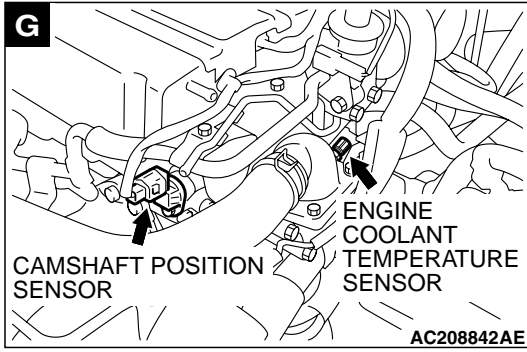
NAME	SYMBOL	NAME	SYMBOL
ABS sensor (front)	N	G-sensor (lateral)	L
ABS sensor (rear)	P	G-sensor (longitudinal)	L
Air thermo sensor	M	Heated oxygen sensor (front)	F
Camshaft position sensor	G	Heated oxygen sensor (rear)	O
Crankshaft position sensor	A	Knock sensor	C
Engine coolant temperature sensor	G	Manifold absolute pressure sensor	B
Front impact sensor	I	Pressure sensor	J
Fuel level sensor (sub)	Q	Steering angular velocity sensor	K
Fuel pump and level sensor (main)	Q	Throttle position sensor	D
Fuel tank differential pressure sensor	Q	Vehicle speed sensor	E
Fuel tank temperature sensor	Q	Volume airflow sensor	H

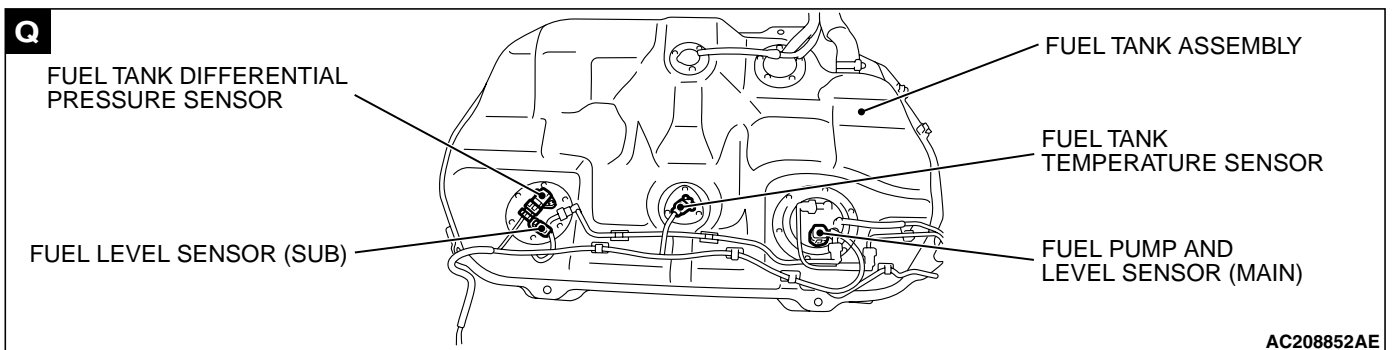
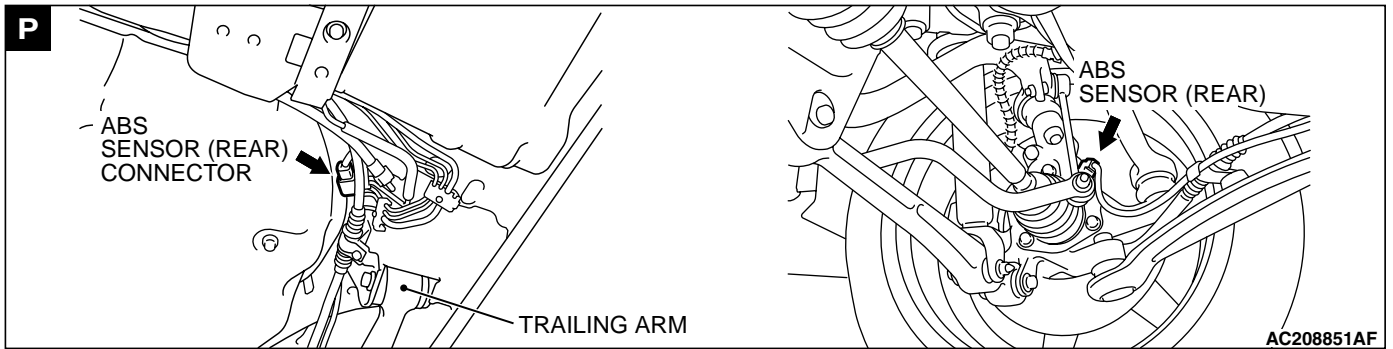
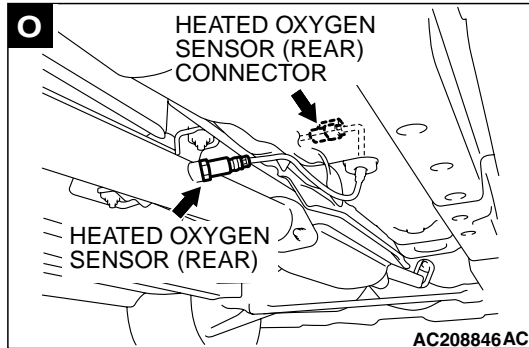
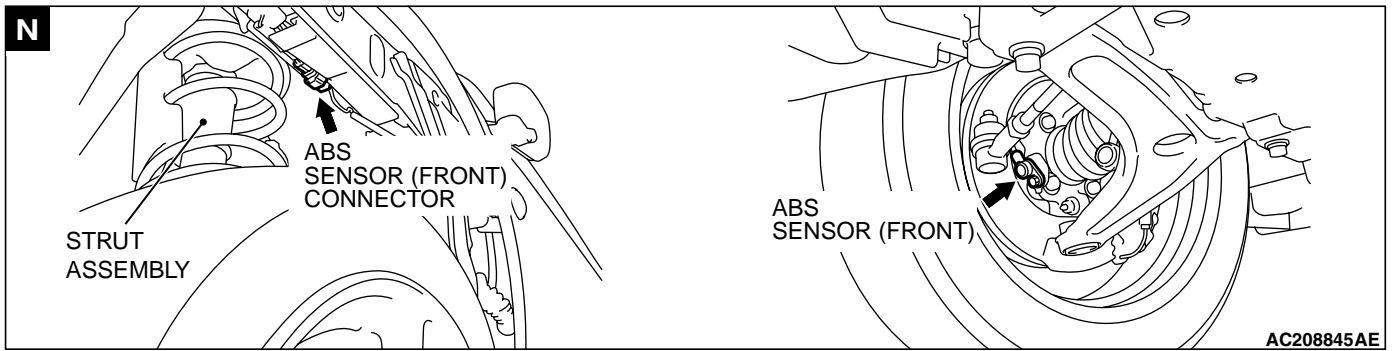


NOTE: The \* symbols indicate that the components is also equipped at the right side.





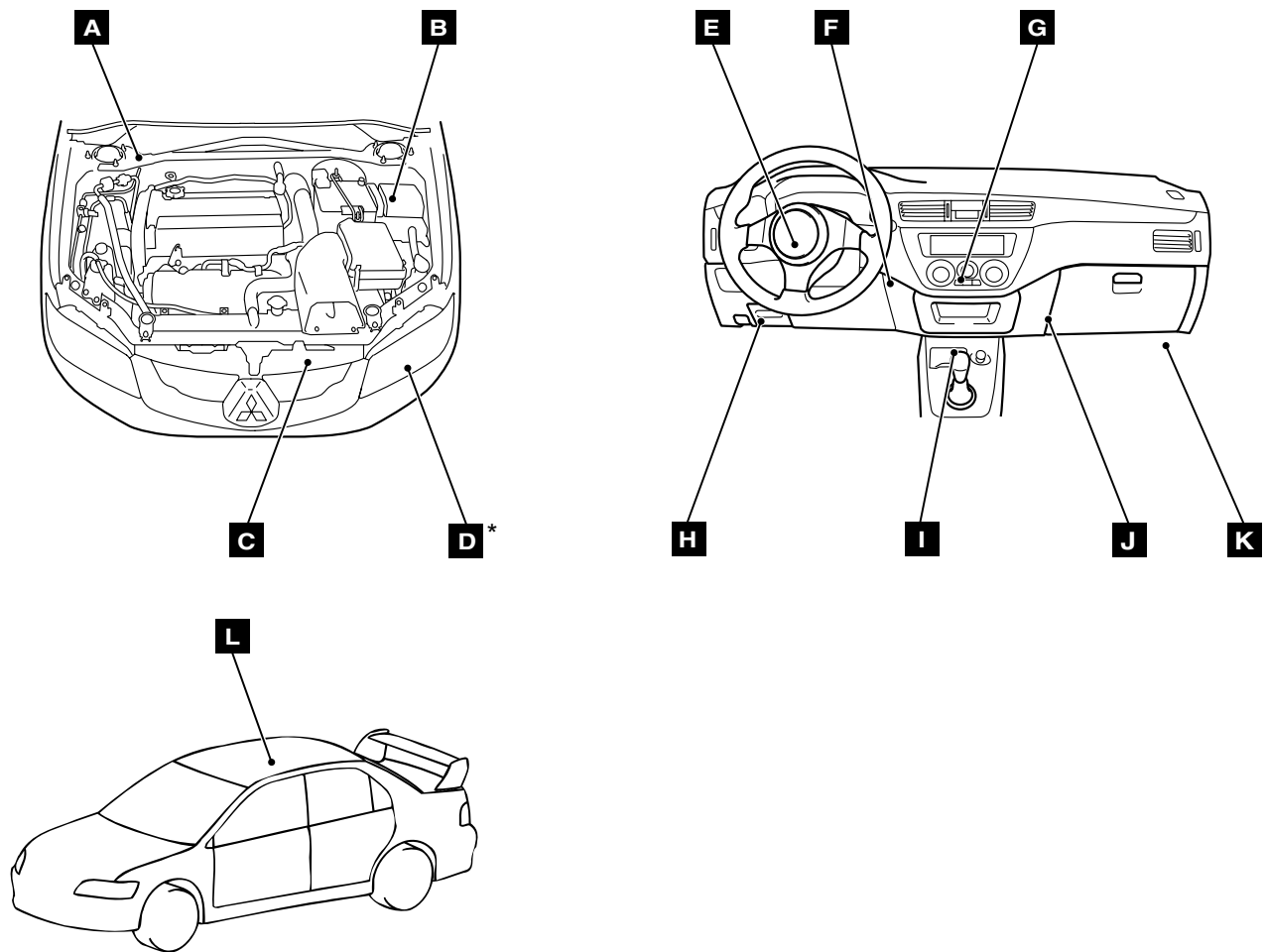




**CONTROL UNIT**

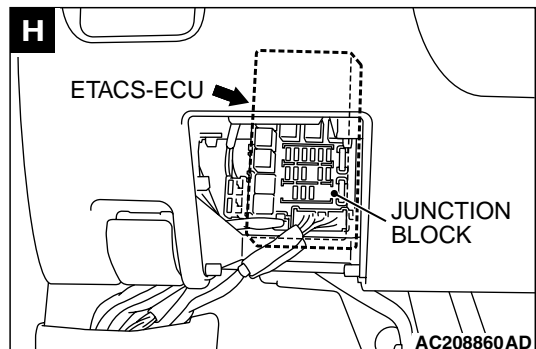
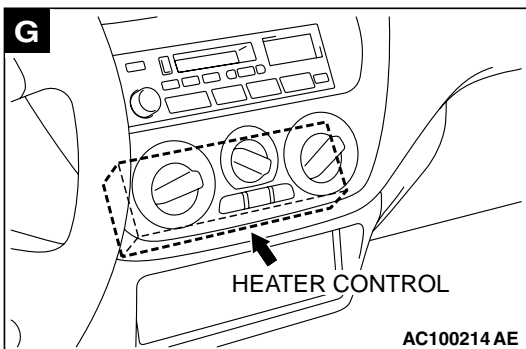
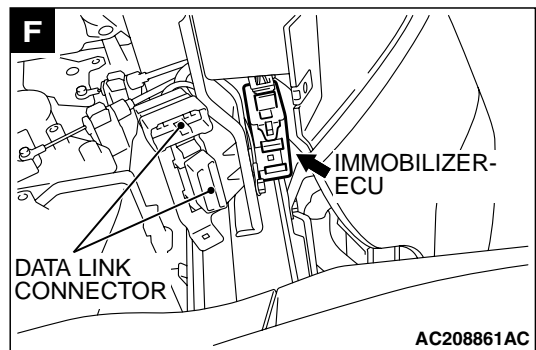
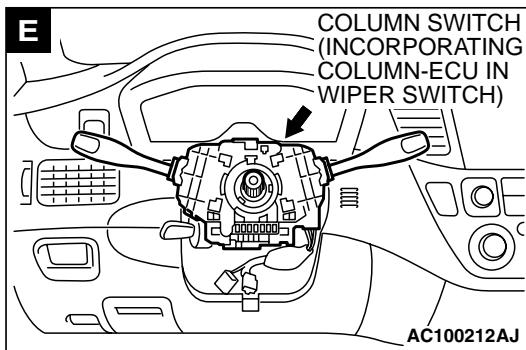
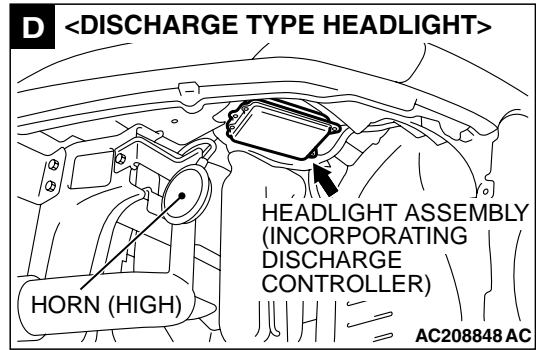
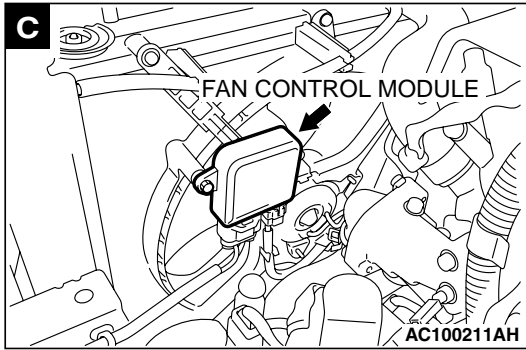
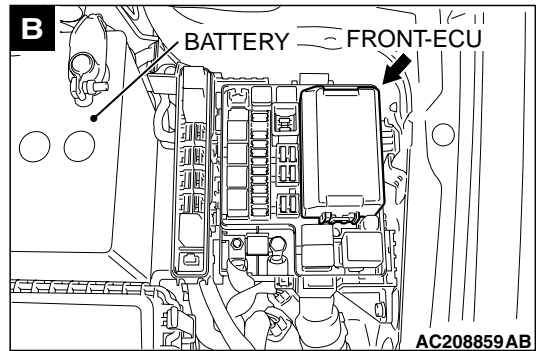
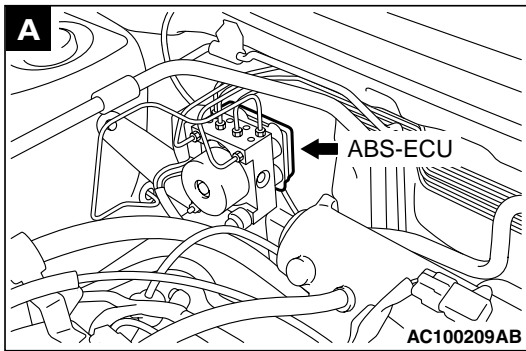
M1701000700519

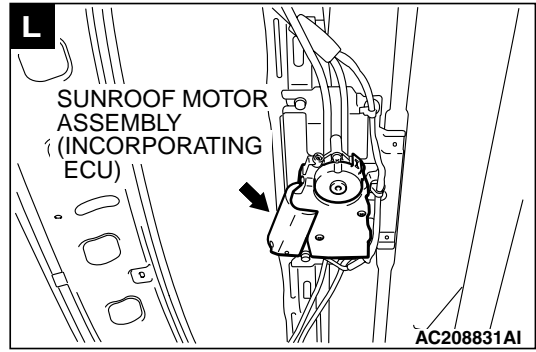
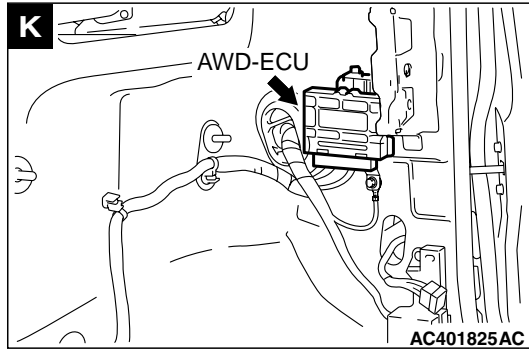
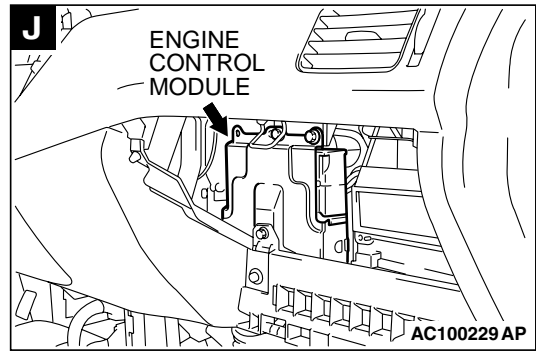
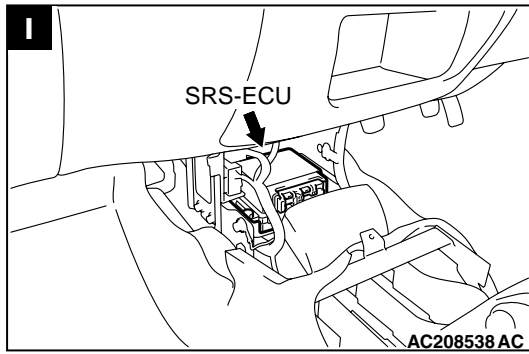
NAME	SYMBOL	NAME	SYMBOL
ABS-ECU	A	Headlight assembly (Incorporating discharge controller) <Discharge type headlight>	D
AWD-ECU	K		
Column switch (Incorporating column-ECU in wiper switch)	E	Heater control	G
Engine control module	J	Immobilizer-ECU	F
ETACS-ECU	H	SRS-ECU	I
Fan control module	C	Sunroof motor assembly (Incorporating ECU)	L
Front-ECU	B		



AC310116AE

NOTE: The \* symbols indicate that the components is also equipped at the right side.

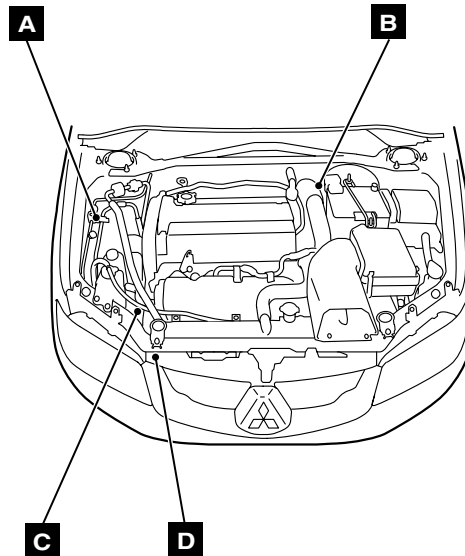




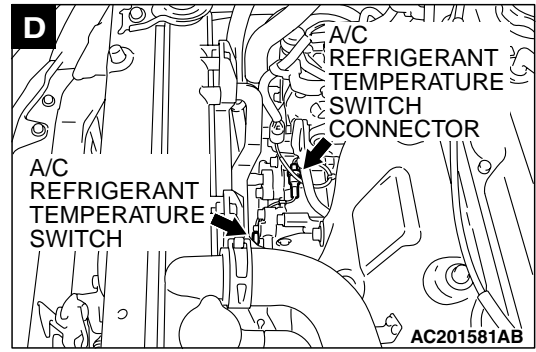
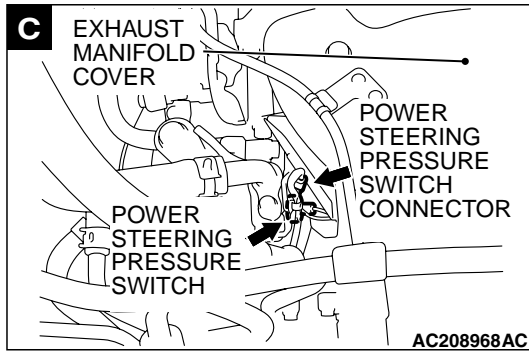
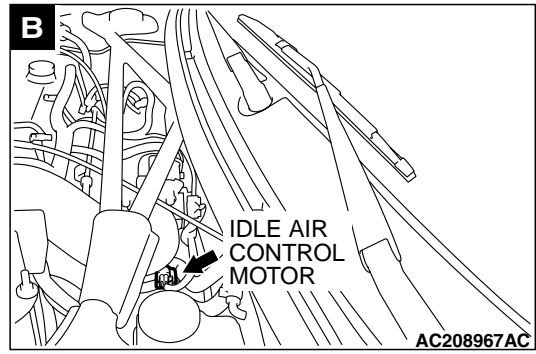
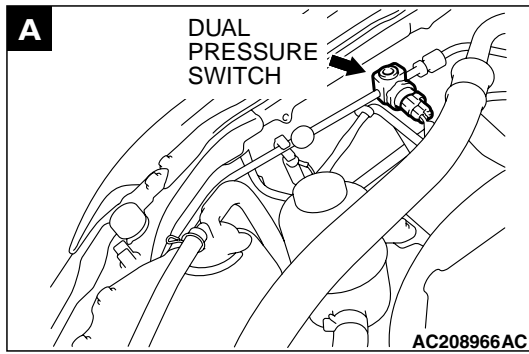
OTHER DEVICES

M1701005600410

NAME	SYMBOL	NAME	SYMBOL
A/C refrigerant temperature switch	D	Idle air control motor	B
Dual pressure switch	A	Power steering pressure switch	C



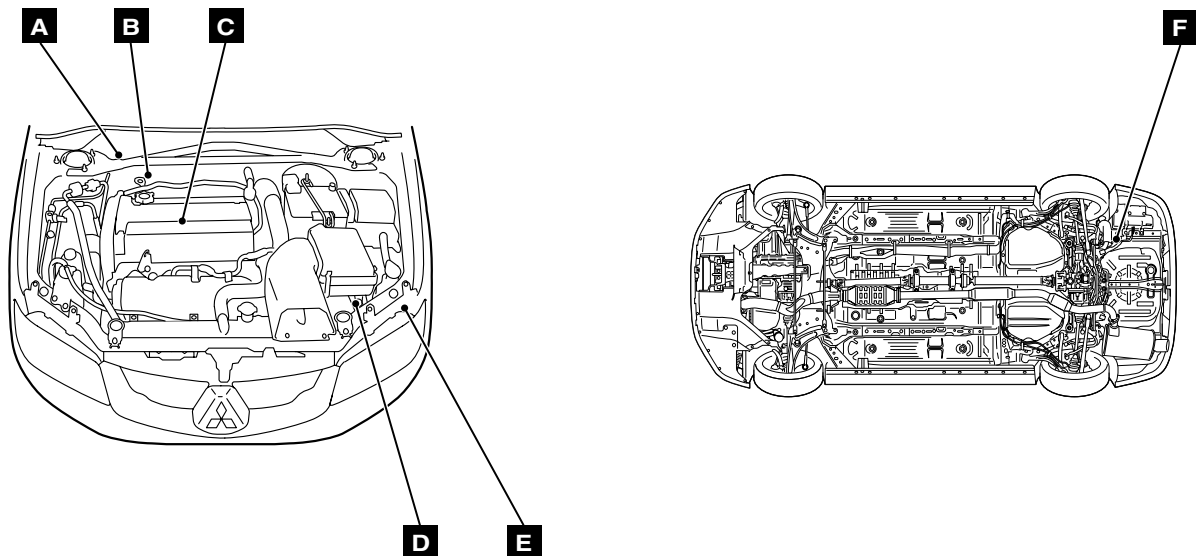
AC310111AB



## SOLENOID AND SOLENOID VALVE

M1701000800657

NAME	SYMBOL	NAME	SYMBOL
EGR vacuum regulator solenoid valve	C	Hydraulic unit <for ABS (incorporating solenoid valve)>	A
Evaporative emission purge solenoid	B		
Evaporative emission ventilation solenoid	F	Hydraulic unit assembly <for ACD (incorporating solenoid valve)>	E
Fuel pressure solenoid	B	Turbocharger wastegate solenoid	D



AC310117AC

