
GROUP 80B**SPLICE LOCATIONS****CONTENTS**

HOW TO READ SPLICE LOCATIONS.....	80B-2	DASH PANEL.....	80B-6
INDEX.....	80B-3	FLOOR AND ROOF.....	80B-8
ENGINE COMPARTMENT.....	80B-4	DOOR.....	80B-9
ENGINE AND TRANSAXLE.....	80B-5	LUGGAGE COMPARTMENT.....	80B-10

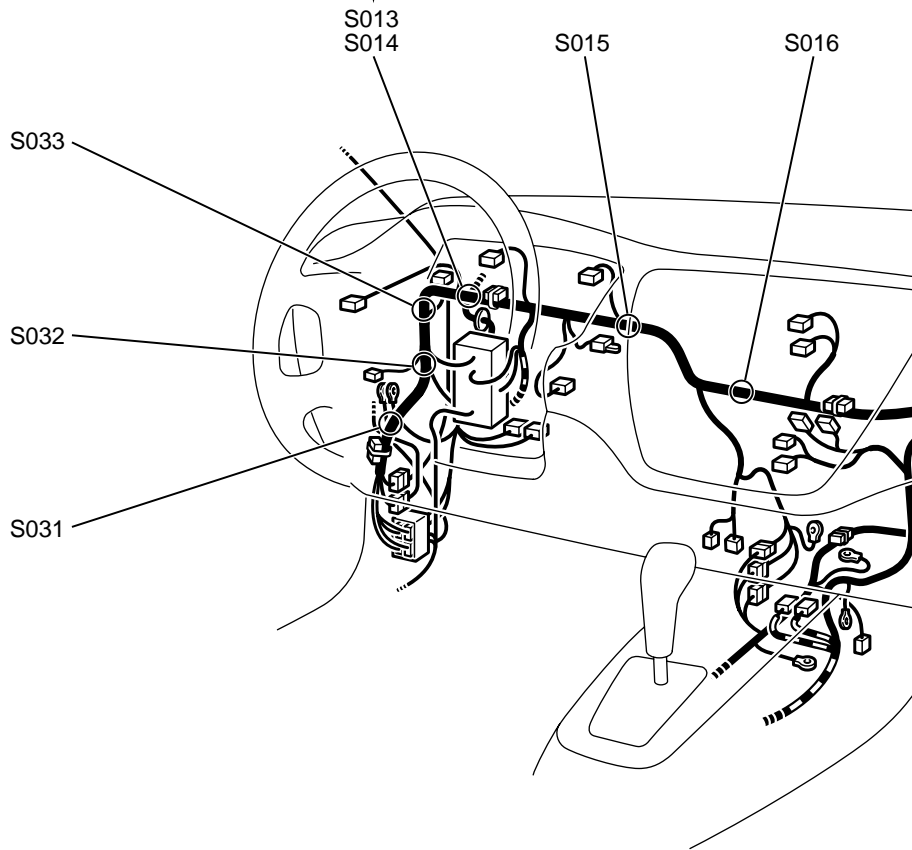
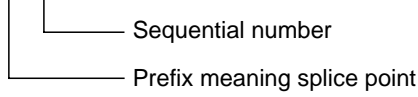
HOW TO READ SPLICE LOCATIONS

M1802000100294

"Splice locations" describes splice points of each wiring harness on an actual vehicle.

Indicates a splice point number.
The splice point numbers are identical to those in "CIRCUIT DIAGRAMS," making them easy to use.
In addition, the splice point numbers are usually numbered clockwise.

Example: S 013



AC100213AB

INDEX

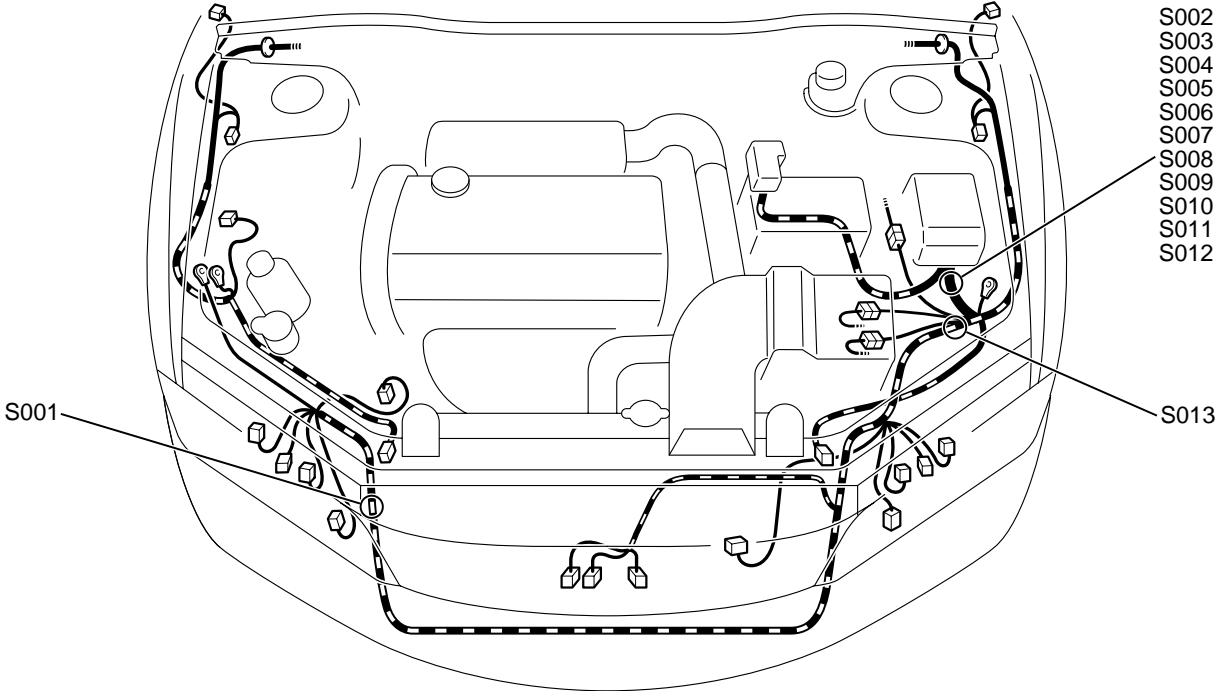
M1802000901022

This index shows the page numbers where the splice locations are.

SPLICE LOCATION NO.	PAGE	SPLICE LOCATION NO.	PAGE	SPLICE LOCATION NO.	PAGE	SPLICE LOCATION NO.	PAGE
S001	P.80B-4	S027	P.80B-6	S051	P.80B-7	S075	P.80B-8
S002	P.80B-4	S028	P.80B-6	S052	P.80B-7	S076	P.80B-8
S003	P.80B-4	S029	P.80B-6	S053	P.80B-7	S077	P.80B-8
S004	P.80B-4	S030	P.80B-6	S054	P.80B-7	S078	P.80B-9
S005	P.80B-4	S031	P.80B-6	S055	P.80B-7	S079	P.80B-9
S006	P.80B-4	S032	P.80B-6	S056	P.80B-7	S083	P.80B-10
S007	P.80B-4	S033	P.80B-6	S058	P.80B-7	S084	P.80B-10
S008	P.80B-4	S034	P.80B-6	S059	P.80B-7	S085	P.80B-10
S009	P.80B-4	S035	P.80B-6	S060	P.80B-7	S086	P.80B-10
S010	P.80B-4	S036	P.80B-6	S061	P.80B-6	S087	P.80B-10
S011	P.80B-4	S038	P.80B-6	S062	P.80B-6	S088	P.80B-7
S012	P.80B-4	S039	P.80B-7	S063	P.80B-6	S089	P.80B-7
S013	P.80B-4	S040	P.80B-6	S064	P.80B-6	S090	P.80B-8
S016	P.80B-5	S041	P.80B-7	S065	P.80B-6	S091	P.80B-10
S017	P.80B-5	S042	P.80B-7	S066	P.80B-6	S092	P.80B-6
S018	P.80B-5	S043	P.80B-7	S067	P.80B-6	S093	P.80B-6
S019	P.80B-5	S044	P.80B-7	S068	P.80B-8	S094	P.80B-6
S020	P.80B-5	S045	P.80B-7	S069	P.80B-8	S095	P.80B-6
S021	P.80B-5	S046	P.80B-7	S070	P.80B-8	S096	P.80B-6
S022	P.80B-5	S047	P.80B-7	S071	P.80B-8	S097	P.80B-6
S024	P.80B-6	S048	P.80B-7	S072	P.80B-8	S098	P.80B-6
S025	P.80B-6	S049	P.80B-7	S073	P.80B-8	S099	P.80B-6
S026	P.80B-6	S050	P.80B-7	S074	P.80B-8		

ENGINE COMPARTMENT

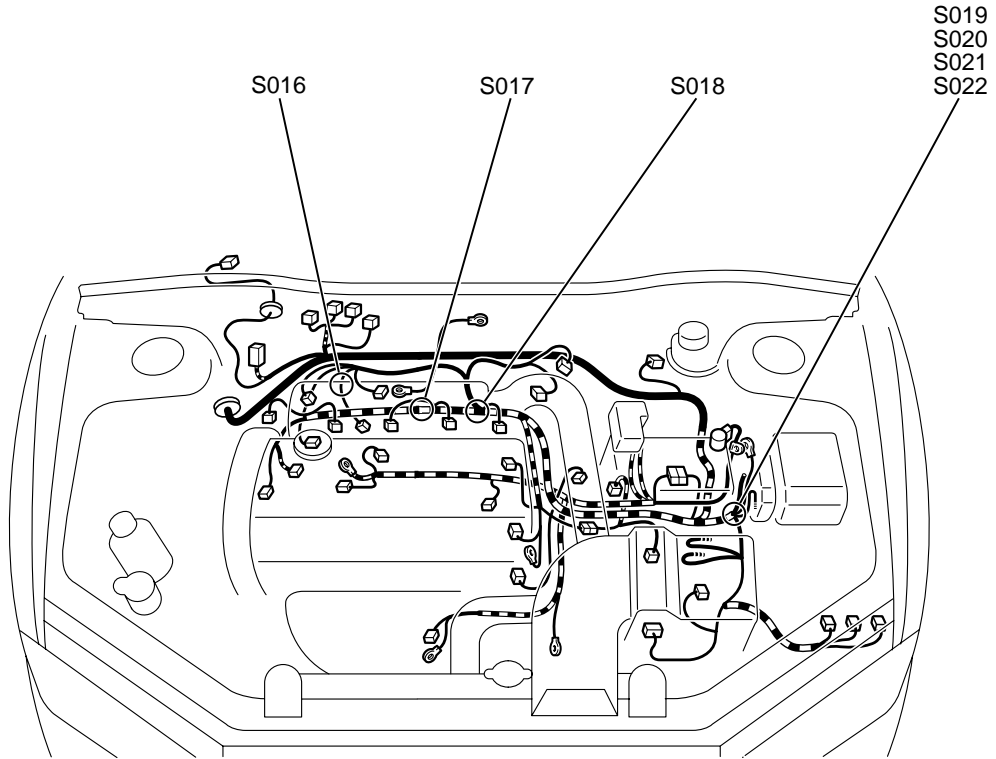
M1802000200730



AC401828AB

ENGINE AND TRANSAXLE

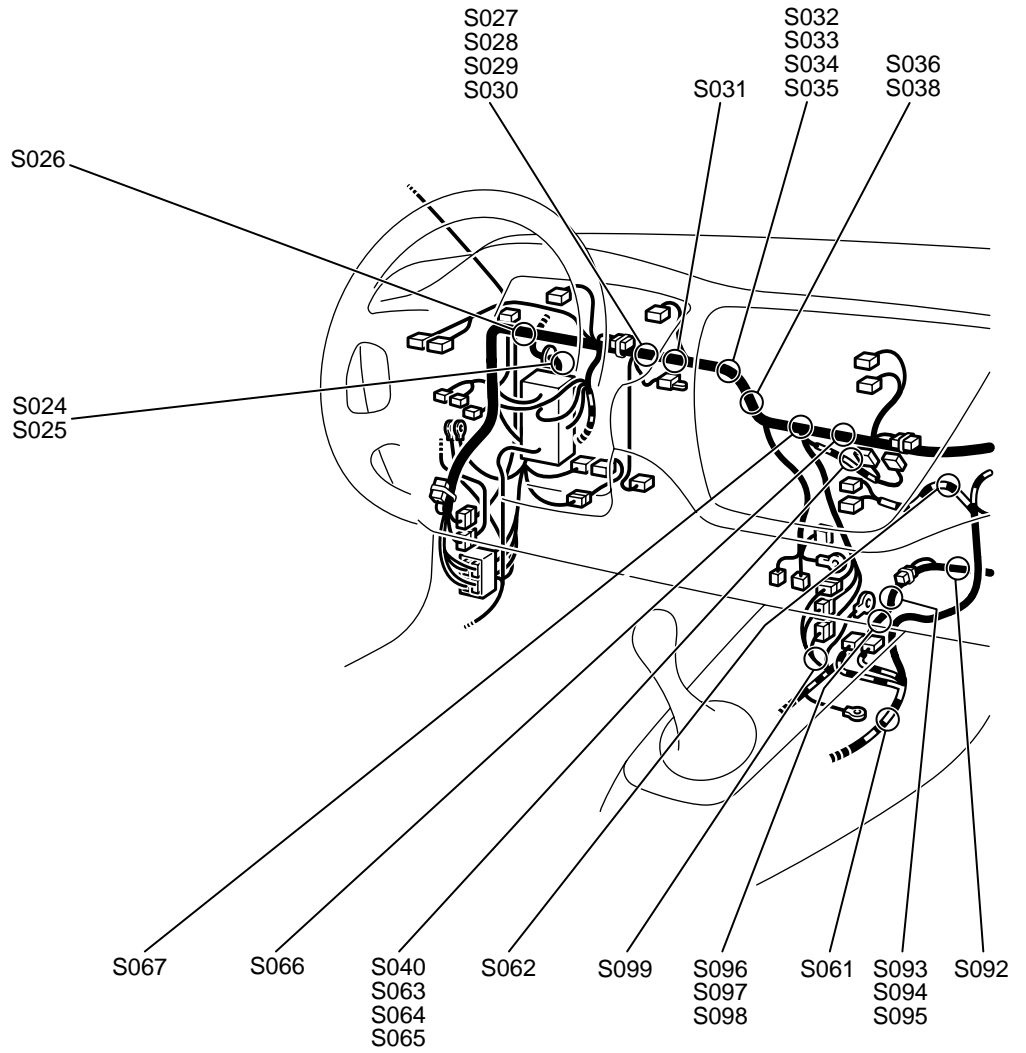
M1802001400588



AC401829AB

DASH PANEL

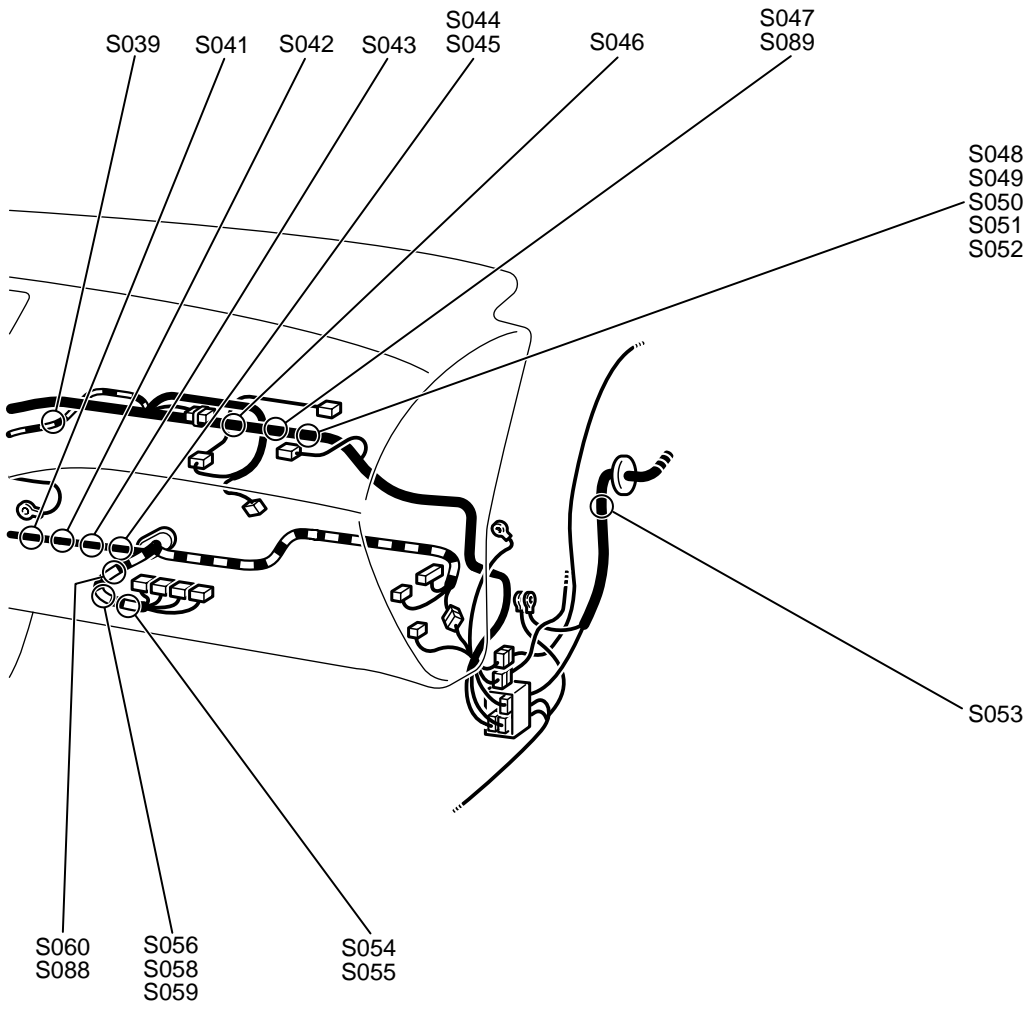
M1802000300878



AC401775AD

SPLICE LOCATIONS
DASH PANEL

80B-7

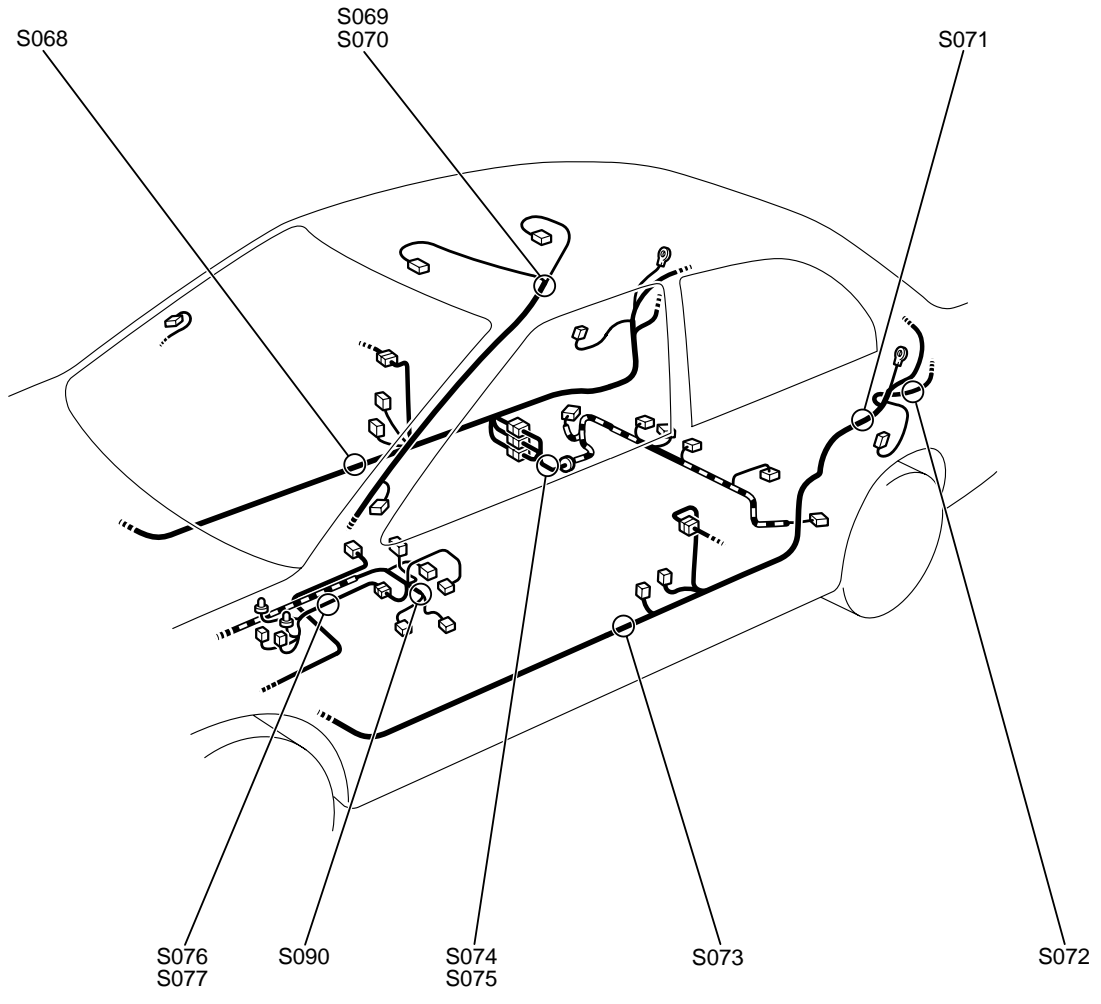


AC401776AD

TSB Revision

FLOOR AND ROOF

M1802001200692



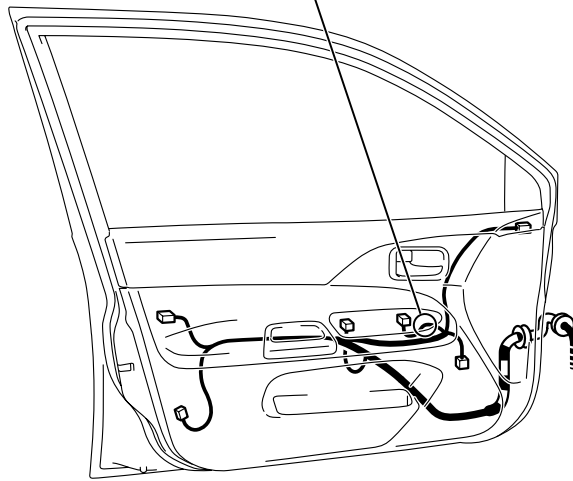
AC401830AB

DOOR

M1802000800549

<FRONT DOOR (DRIVER'S SIDE)>

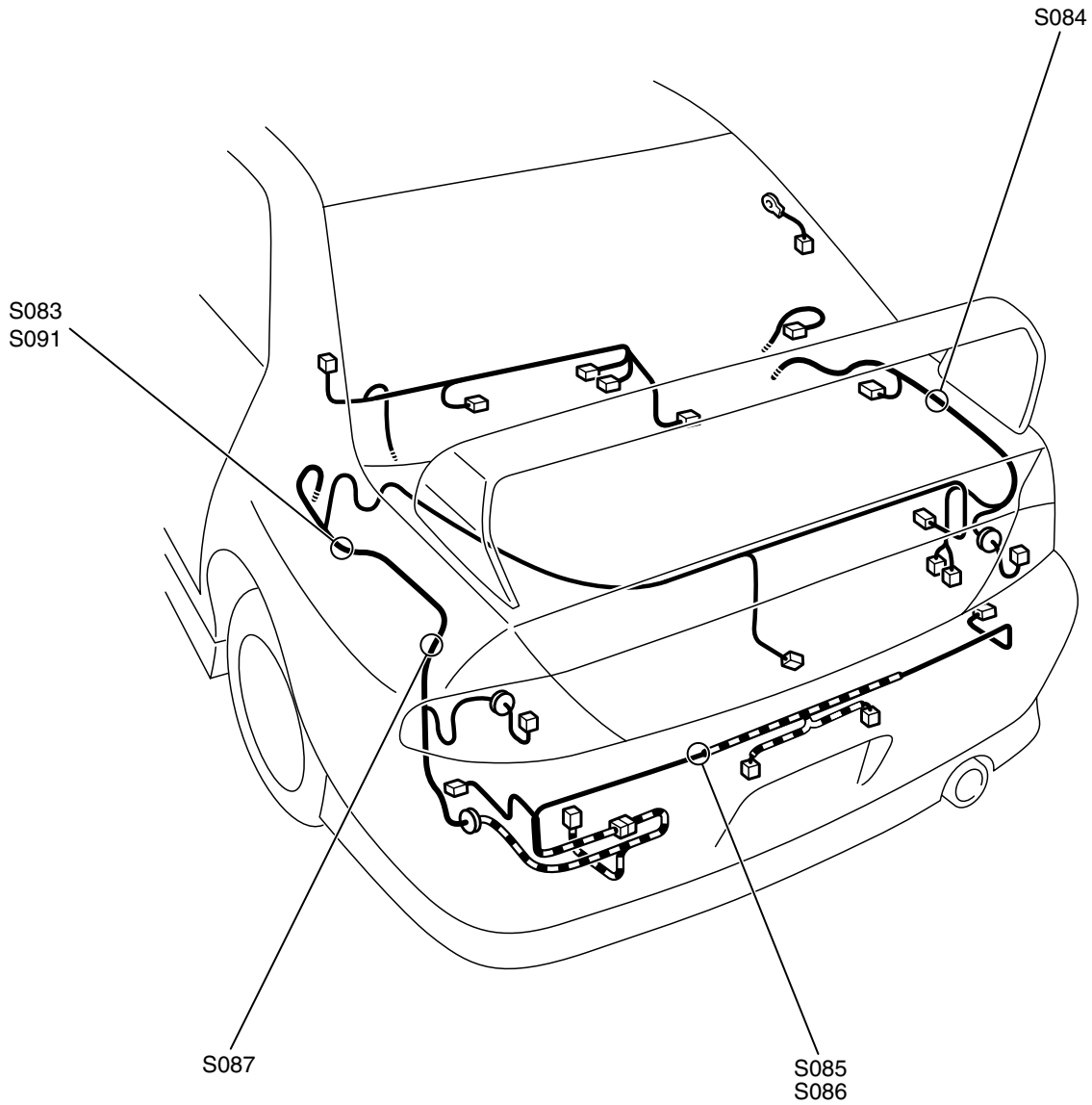
S078
S079



AC310593AB

LUGGAGE COMPARTMENT

M1802001500187



AC310610AB